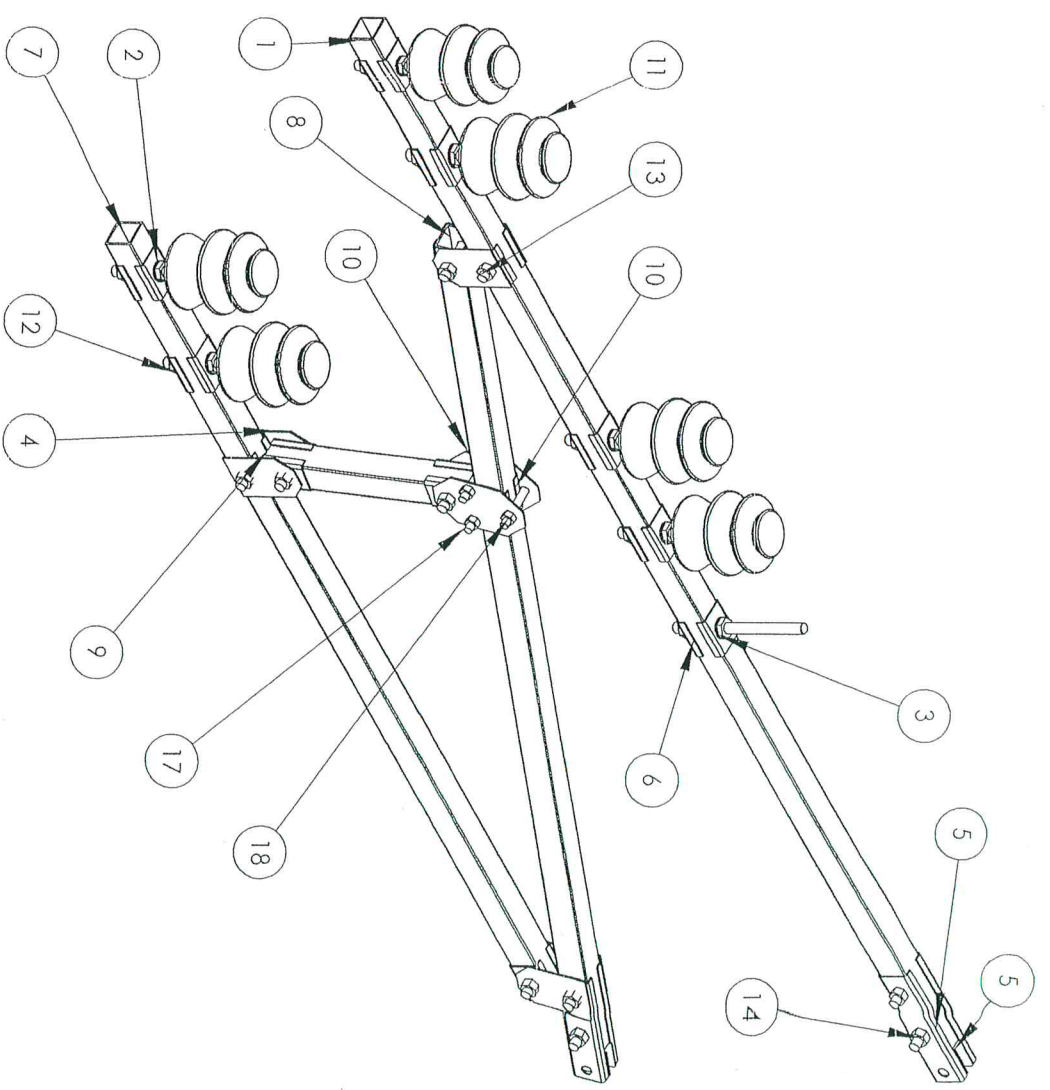


ITEM NO.	PART NUMBER	DESCRIPTION	QTY.
1	L428.00.01	Sija	1
2	L396.00.04	Atbalsts	6
3	L396.00.04-01	Atbalsts	1
4	L396.03.00	Cilpa	4
5	L396.00.60	Cilpa	2
6	L396.00.03	Skava-	22
7	L428.00.02	Sija	1
8	L428.00.07	Sija	1
9	4286.00.08	Sija	1
10	L396.04.00	Skava	2
11	izolator 20KB		6
12	nutM22		7
13	bolM20x100		10
14	nut M20		10
15	L396.06.00	Cilpa	1
16	L396.06.00-01	Cilpa	1
17	bolM16x100		3
18	nut M16		3



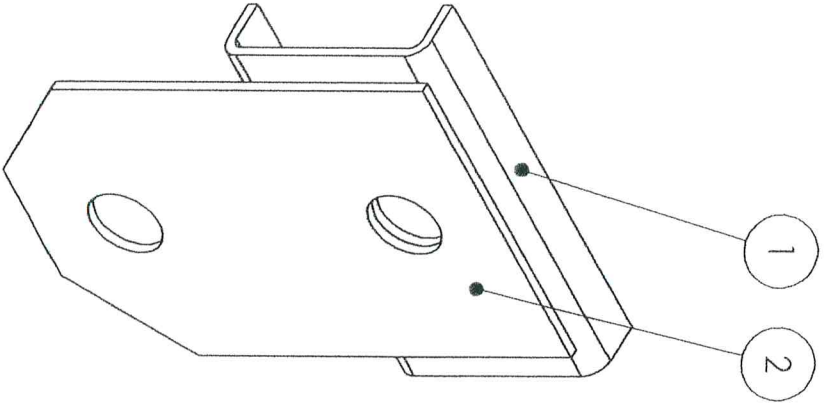
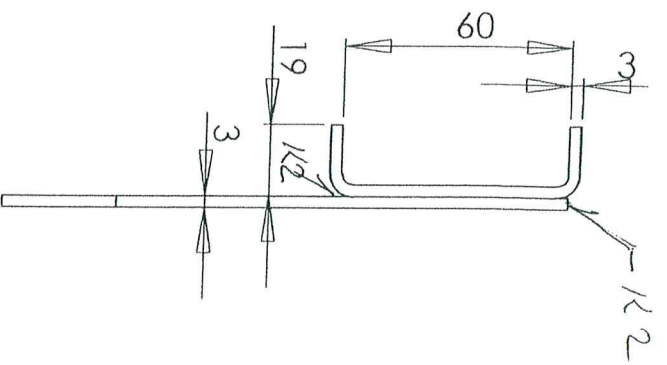
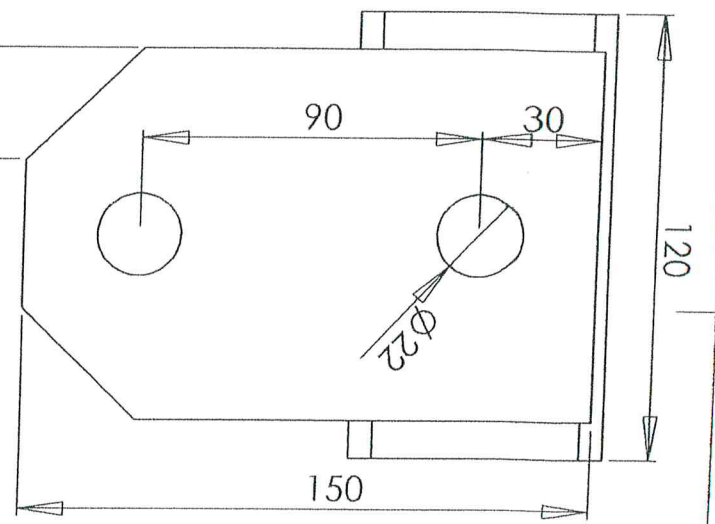
UNLESS OTHERWISE SPECIFIED:
 DIMENSIONS ARE IN MILLIMETERS
 DIMENSIONS ARE IN MILLIMETERS
 FINISH:
 SURFACE FINISH:
 TOLERANCES:
 LINEAR:
 ANGULAR:

DEBUR AND
 BREAK SHARP
 EDGES

DO NOT SCALE DRAWING
 REVISION
 LDZ Infrastuktūras pārvalde
 Inženierieniskā ceļu grupa

DRAWN NAME Loginsovs
 CHECKED APPROVED
 DATE

TITLE: Kontakta tīkla atbalsts
 DWG NO: L428.01.00
 A2



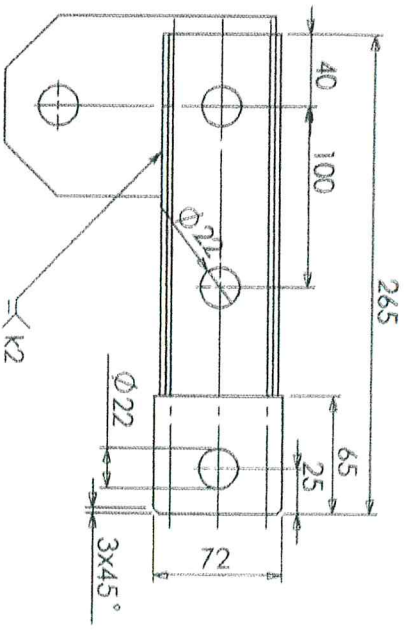
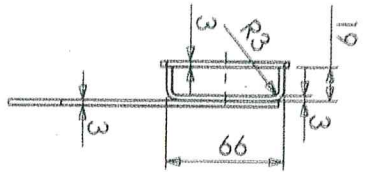
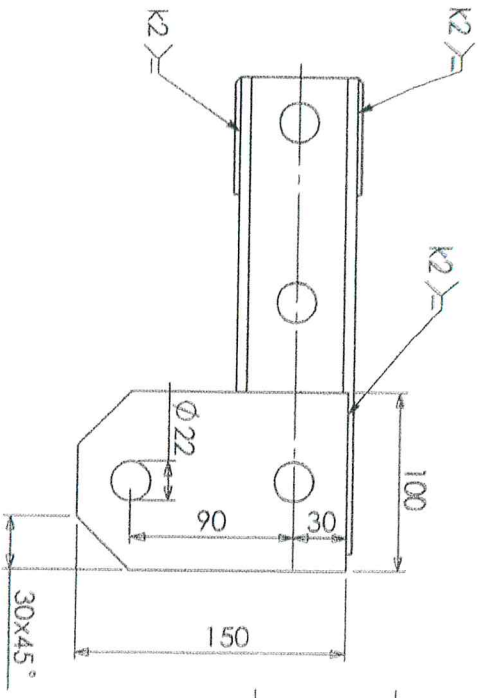
ITEM NO.	PART NUMBER	DESCRIPTION	QTY.
1	L396.00.05	Tērauds20 loksne3	1
2	L396.00.31	Tērauds20 loksne3	1

UNLESS OTHERWISE SPECIFIED:
DIMENSIONS ARE IN MILLIMETERS
SURFACE FINISH:
TOLERANCES:
LINEAR:
ANGULAR:

FINISH:
DEBUR AND
BREAK SHARP
EDGES

DO NOT SCALE DRAWING
REVISION

DRAWN	NAME	SIGNATURE	DATE	TITLE:
CHKD	Logins	[Signature]		Cilpa
APPRVD				LDZ Infrastruktūras pārvalde Inženier tehniskā ceļu grupa
MFG				
Q.A.				
MATERIAL:				DWG NO. L396.03.00
WEIGHT:				A4



Pārklājums: cinks6

ITEM NO.	Format	PART NUMBER	DESCRIPTION	QTY.
1	b.r.	L396.00.06	Plāksne	1
2	b.r.	L396.00.61	Skava	1
3	b.r.	L396.00.31	Cilpa-	1

UNLESS OTHERWISE SPECIFIED:
 DIMENSIONS ARE IN MILLIMETERS
 SURFACE FINISH:
 TOLERANCES:
 LINEAR:
 ANGULAR:

DRAWN AND
 BREAK SHARP
 EDGES

DD NOT SCALE DRAWING

REVISION

NAME	SIGNATURE	DATE
DRAWN Loginsovs	<i>[Signature]</i>	2014.08
CHKD		
APPVD		
MFG		
O.A.		

TITLE

LDZ infrastruktūras pārvalde
 Inženier tehniskā ceļu grupa

Cilpa

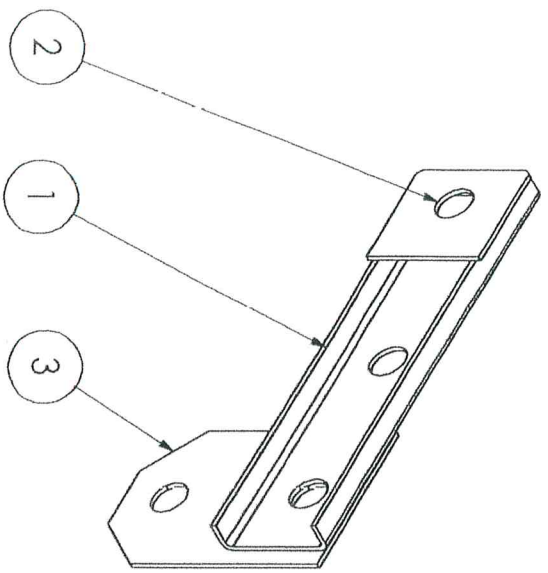
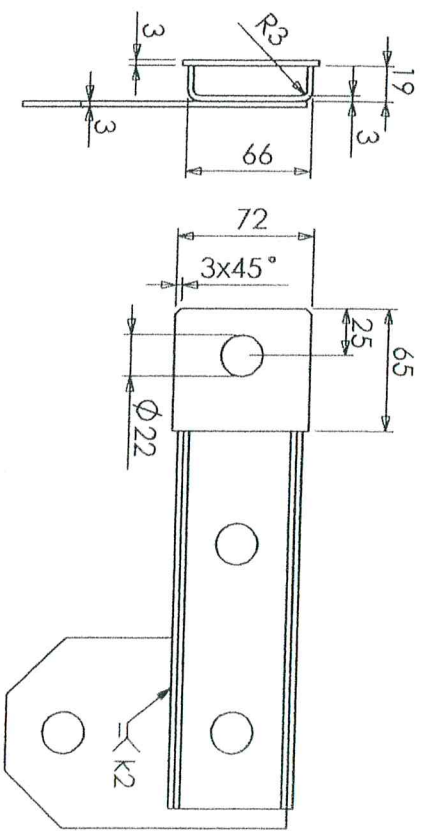
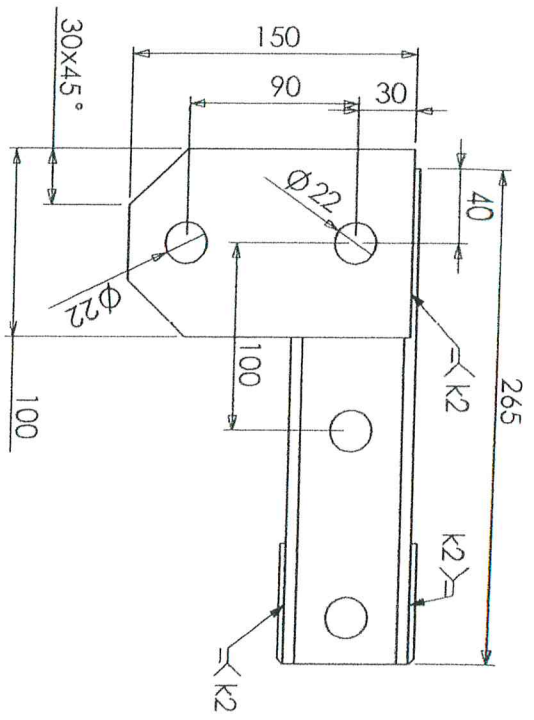
DWG NO.

L396.06.00

A4

SCALE: 1:1

SHEET 1 OF 1



Pārklājums: cinks6

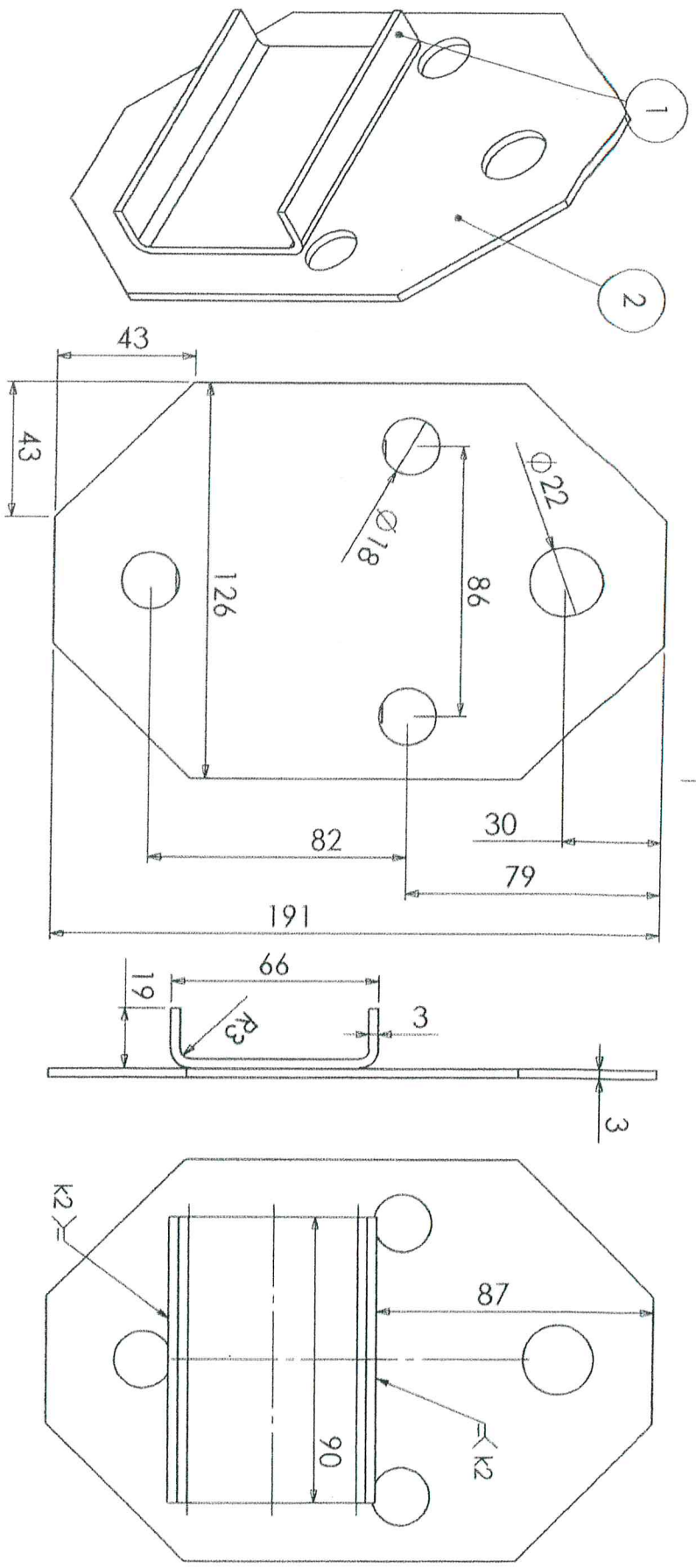
ITEM NO.	PART NUMBER	DESCRIPTION	QTY.
1	L396.00.06		1
2	L396.00.61		1
3	L396.00.31		1

UNLESS OTHERWISE SPECIFIED:
 DIMENSIONS ARE IN MILLIMETERS
 SURFACE FINISH:
 TOLERANCES:
 LINEAR:
 ANGULAR:

FINISH:
 DEBUR AND
 BREAK SHARP
 EDGES

DO NOT SCALE DRAWING

NAME	LOGINOVS	SIGNATURE	DATE	TITLE:	Cilpa
DRAWN					
CHKD					
APPVD					
MFG					
Q.A					
MATERIAL:				DWG NO.:	L396.06.00-01
WEIGHT:					A4



Pārklājums: cinks 6

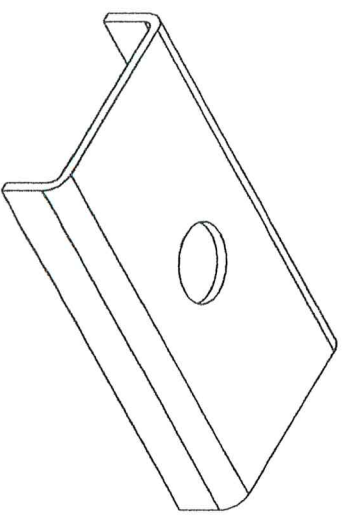
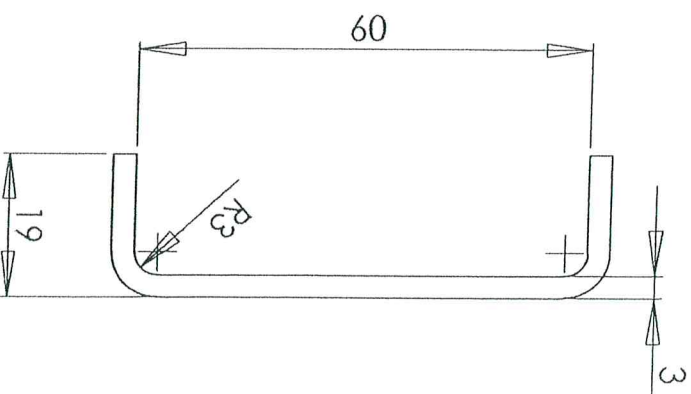
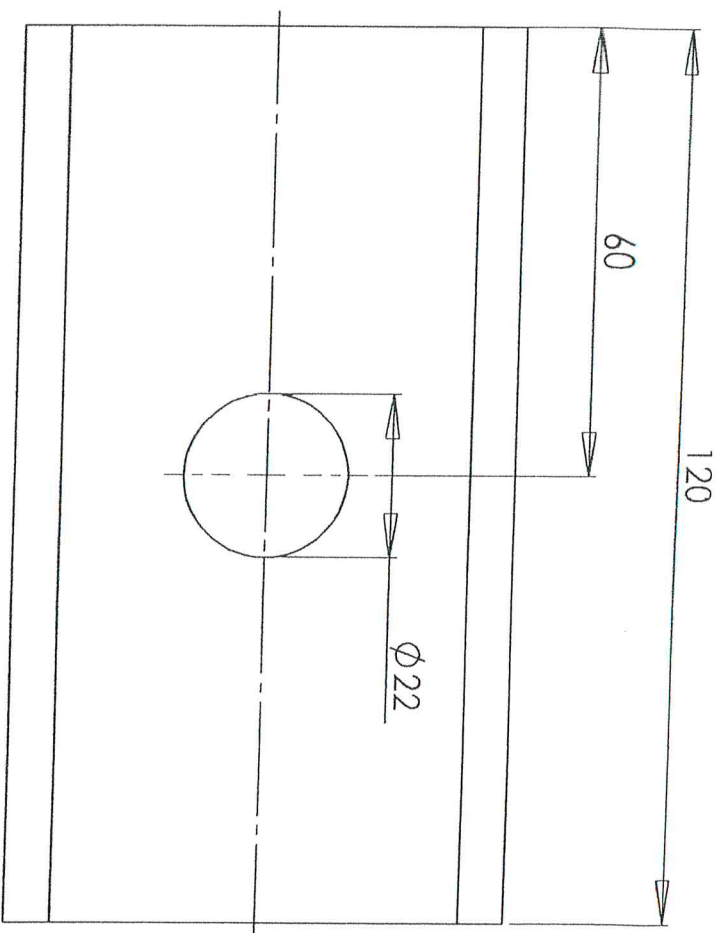
ITEM NO.	Format	PART NUMBER	QTY.
1	b.r.	L396.00.33	1
2	b.r.	L396.00.32	1

UNLESS OTHERWISE SPECIFIED: DIMENSIONS ARE IN MILLIMETERS		FINISH:	
TOLERANCES: SURFACE FINISH: LINEAR: ANGULAR:		DEBUR AND BREAK SHARP EDGES	
NAME	SIGNATURE	DATE	TITLE
Logins	<i>[Signature]</i>	2008	LDZ infrastruktūras pārvalde Inženier tehniskā ceļu grupa
DRAWN	CHKD	APPRD	WFG
Logins			
MATERIAL:		DWG NO.	
Tērauds20 lokšne3		L396.04.00	
WEIGHT:		SCALE:1:5	
		SHEET 1 OF 1	
		A4	

Skava

L396.04.00

A4



Pārklājums: cinks 6

UNLESS OTHERWISE SPECIFIED:
DIMENSIONS ARE IN MILLIMETERS
SURFACE FINISH:
TOLERANCES:
LINEAR:
ANGULAR:

FINISH:

DEBUR AND
BREAK SHARP
EDGES

NAME	SIGNATURE	DATE
DRAWN	Logiņovs	
CHKD		
APPRD		
MFG		
Q.A		

DO NOT SCALE DRAWING	REVISION
TITLE: LDZ Infrastruktūras pārvalde Inženier tehniskā ceļu grupa	

Skava

MATERIAL:
Tērauds20 Ioksnē3

DWG NO.

L396.00.03

A4

WEIGHT:

SCALE: 1:1

C

B

A

6

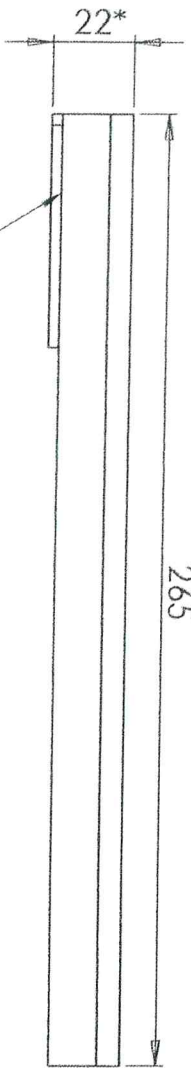
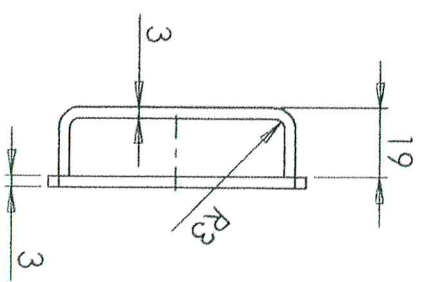
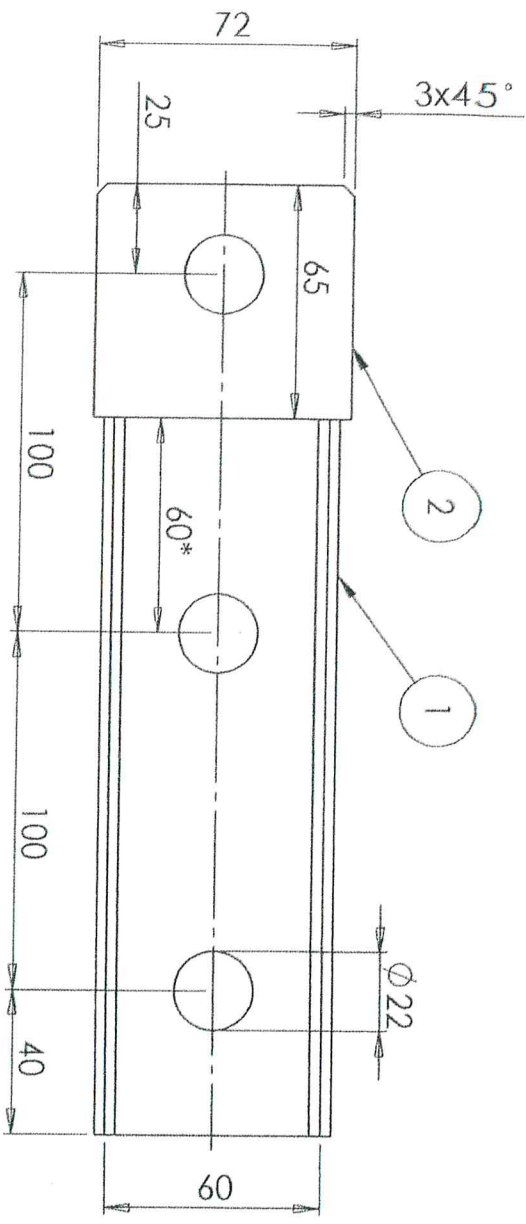
5

4

3

1

2



Pārklājums: cinks 6

ITEM NO.	FORMAT	PART NUMBER	DESCRIPTION	QTY.
1	b.r.	L396.00.06	Tērauds 20 loksne3	1
2	b.r.	L396.00.61	Tērauds 3 loksne3	1

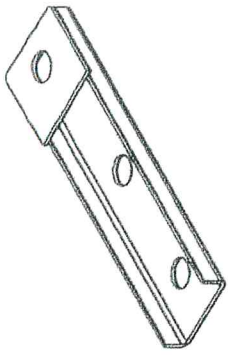
UNLESS OTHERWISE SPECIFIED:
 DIMENSIONS ARE IN MILLIMETERS
 SURFACE FINISH:
 TOLERANCES:
 LINEAR:
 ANGULAR:
 FINISH:
 DEBUR AND
 BREAK SHARP
 EDGES

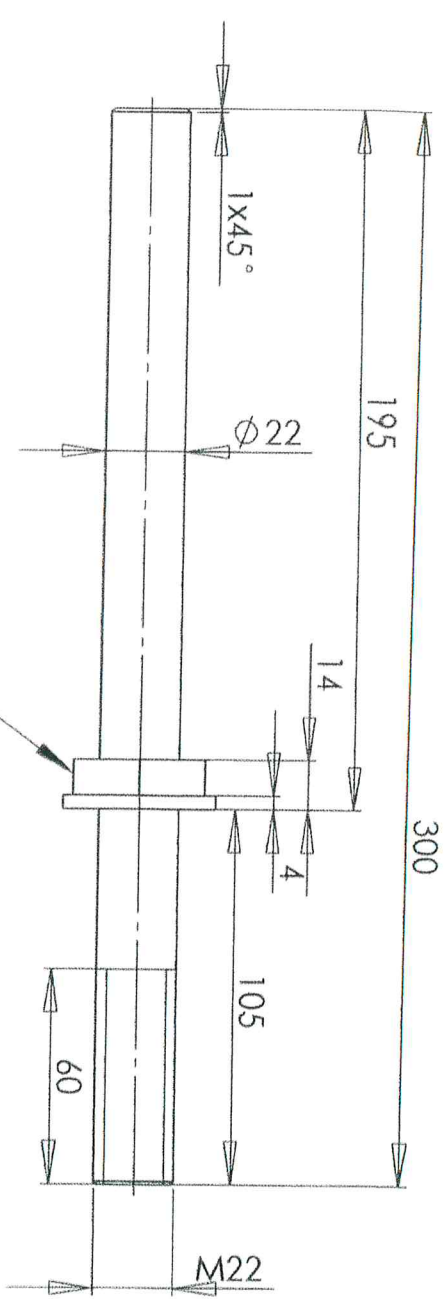
DO NOT SCALE DRAWING
 REVISION

DRAWN	NAME	SIGNATURE	DATE
CHKD	Loginovs	[Signature]	7.08.
APPVD			
MFC			
G.A			

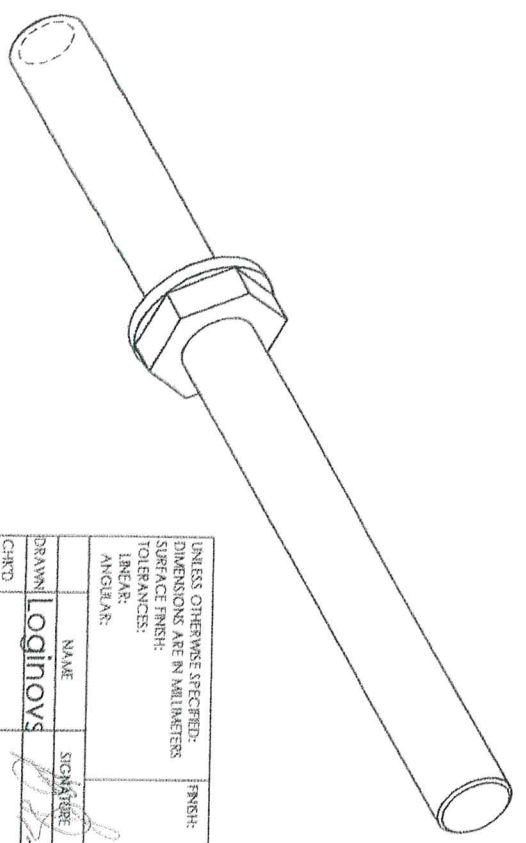
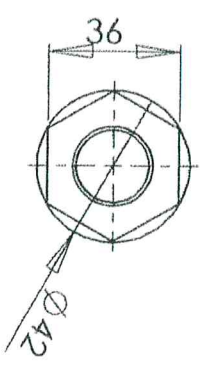
TITLE
 LDZ infrastruktūras pārvalde
 Inženier tehniskā ceļu grupa
 Cilpa

DWG NO.	L396.00.60	A4
SCALE:1:5		
WEIGHT:		
SHEET 1 OF 1		

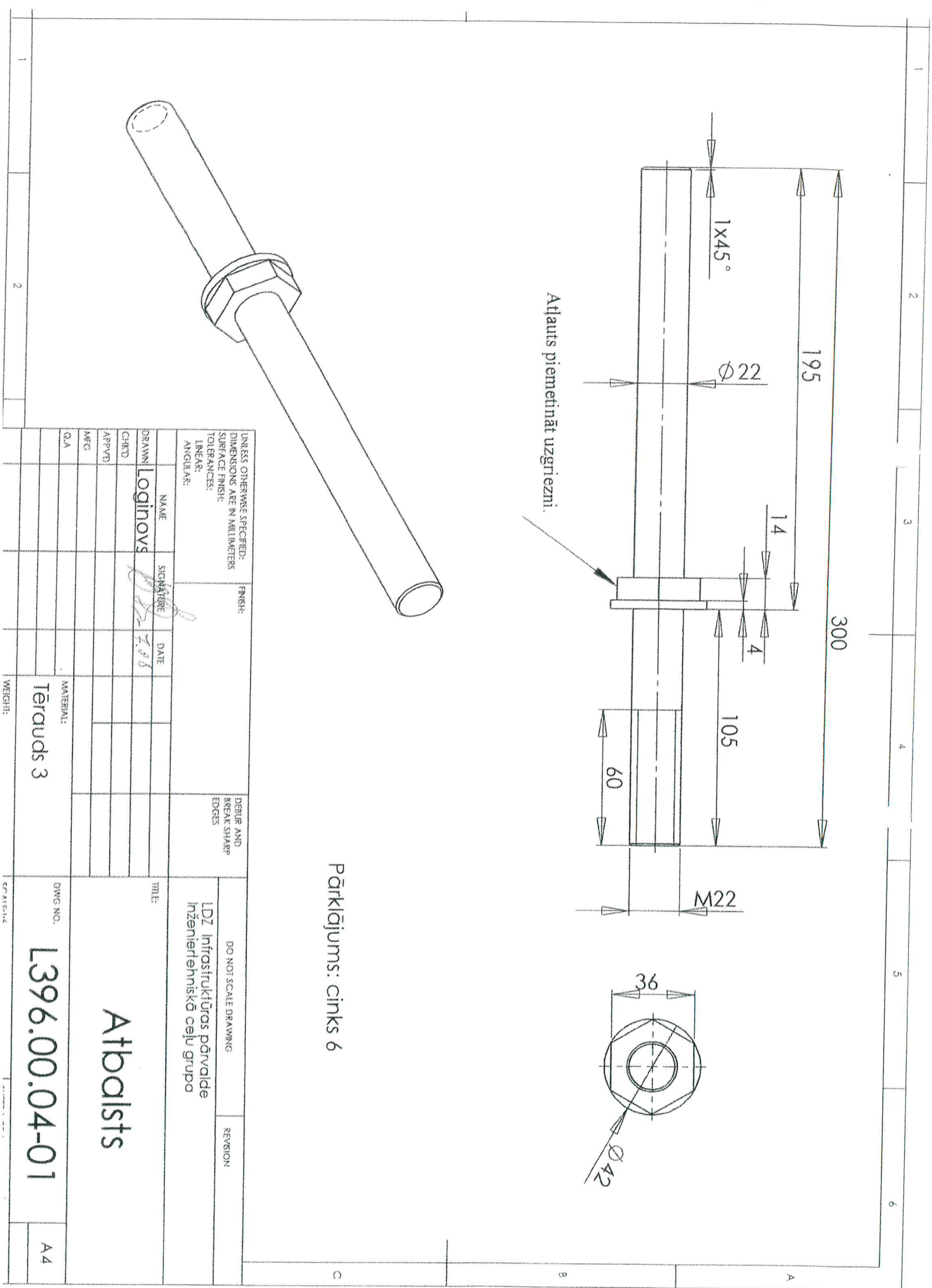


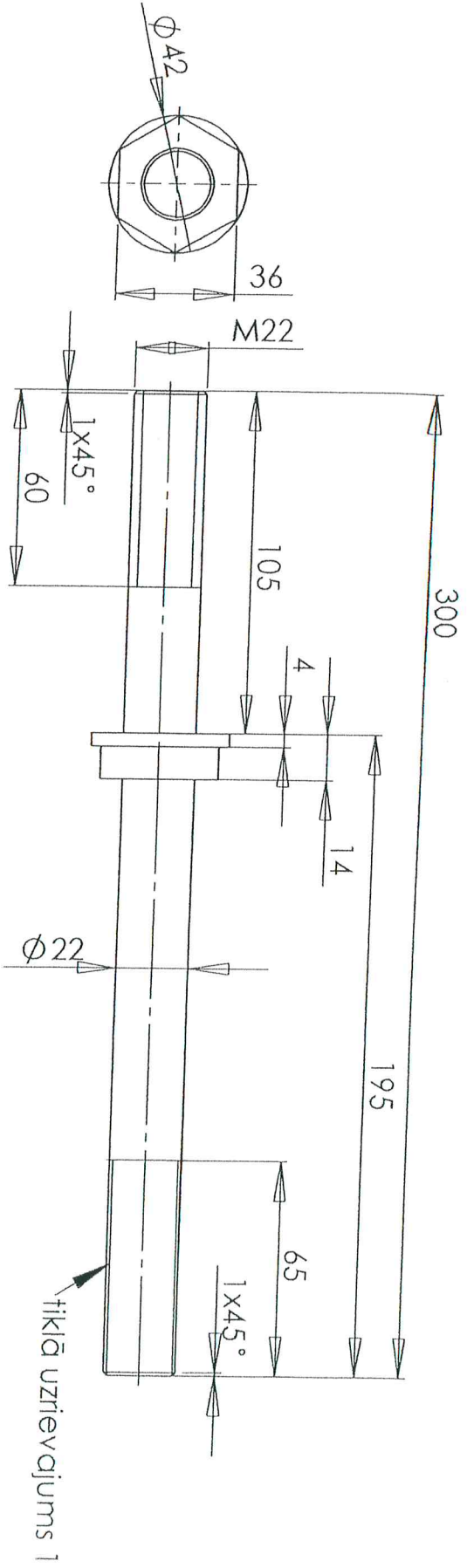


Atlauts piemērināt uzgriezni.

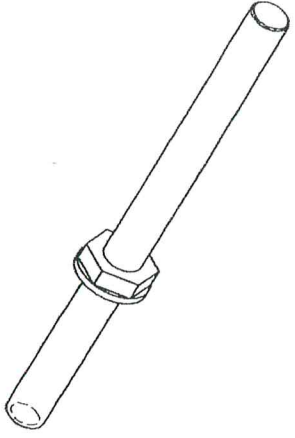


UNLESS OTHERWISE SPECIFIED: DIMENSIONS ARE IN MILLIMETERS		FINISH:	DIE UP AND BREAK SHARP EDGES	
SURFACE FINISH:				
TOLERANCES:				
LINEAR:				
ANGULAR:				
DRAWN	NAME	SIGNATURE	DATE	
CHKD	Logins	<i>[Signature]</i>	2008	
APPVD				
MFC				
Q.A				
MATERIAL:				
Tērauds 3				
DWG NO.		TITLE		
L396.00.04-01		LDZ Infrastrukūras pārvalde Inženier tehniskā ceļu grupa		
A4		REVISION		
		Pārkiājums: cinks 6		
		Atbalsts		



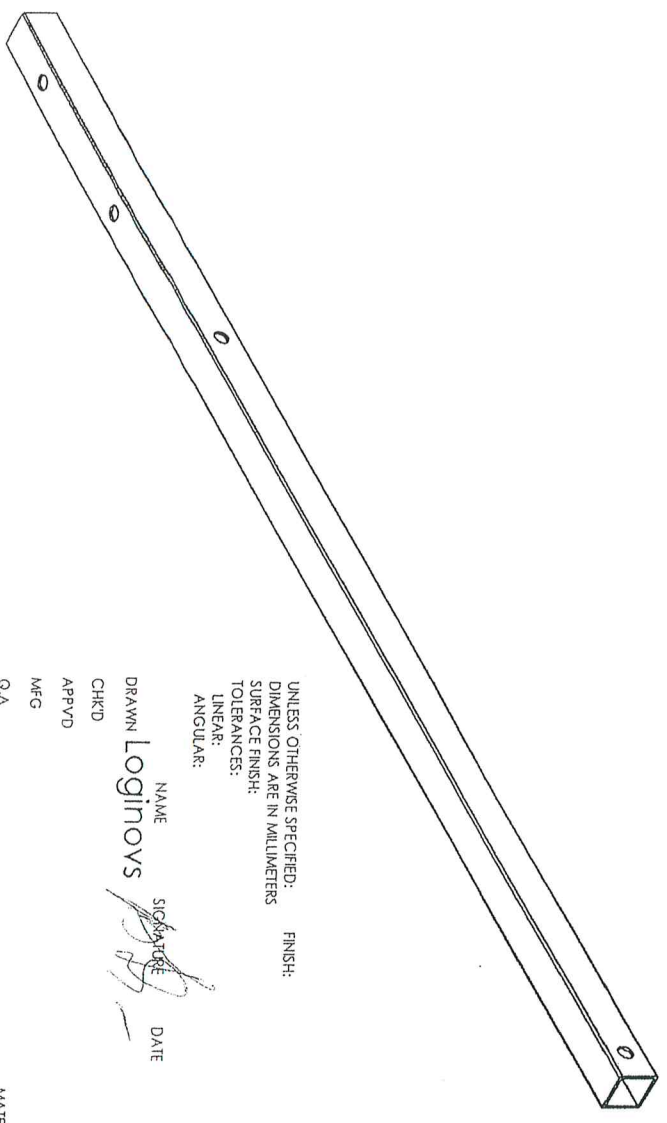
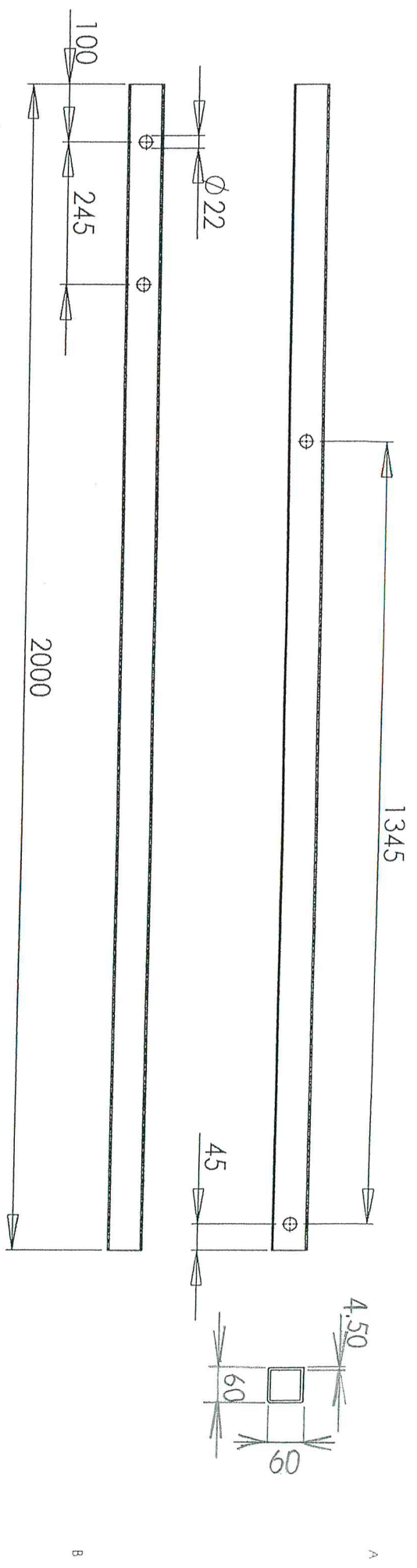


Pārklājums: cinks 6



UNLESS OTHERWISE SPECIFIED: DIMENSIONS ARE IN MILLIMETERS		FINISH:		DEBUR AND BREAK SHARP EDGES		DO NOT SCALE DRAWING		REVISION	
SURFACE FINISH:									
TOLERANCES:									
LINEAR:									
ANGULAR:									
NAME	SIGNATURE	DATE	TITLE:		LDZ Infrastruktūras pārvalde Inženertehniskā ceļu grupa				
DRAWN	Logiņovs		Tapa						
CHKD									
APPVD									
MFG									
Q.A									
MATERIAL:			Tēraudss3						
WEIGHT:			Dwg NO. L396.00.04						
			A 4						

1 2 3 4 5 6



UNLESS OTHERWISE SPECIFIED:
 DIMENSIONS ARE IN MILLIMETERS
 SURFACE FINISH:
 TOLERANCES:
 LINEAR:
 ANGULAR:

DEBUR AND
 BREAK SHARP
 EDGES

DO NOT SCALE DRAWING

NAME: Logimovs
 DRAWN: [Signature]
 CHECKED: [Signature]
 APPROVED: [Signature]
 MFG: Q/A

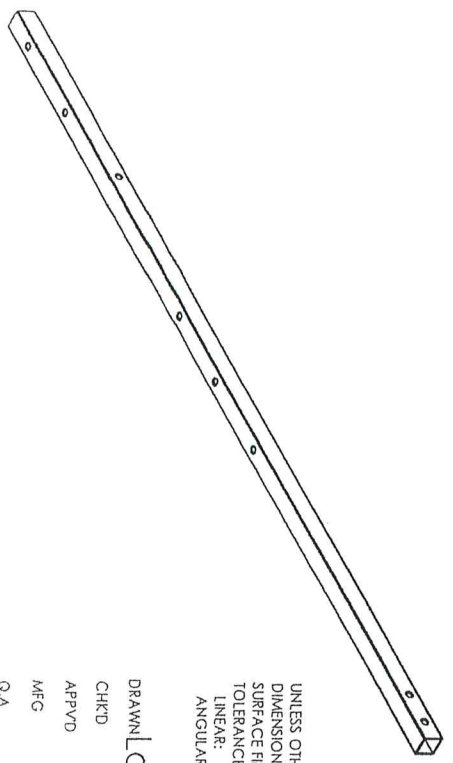
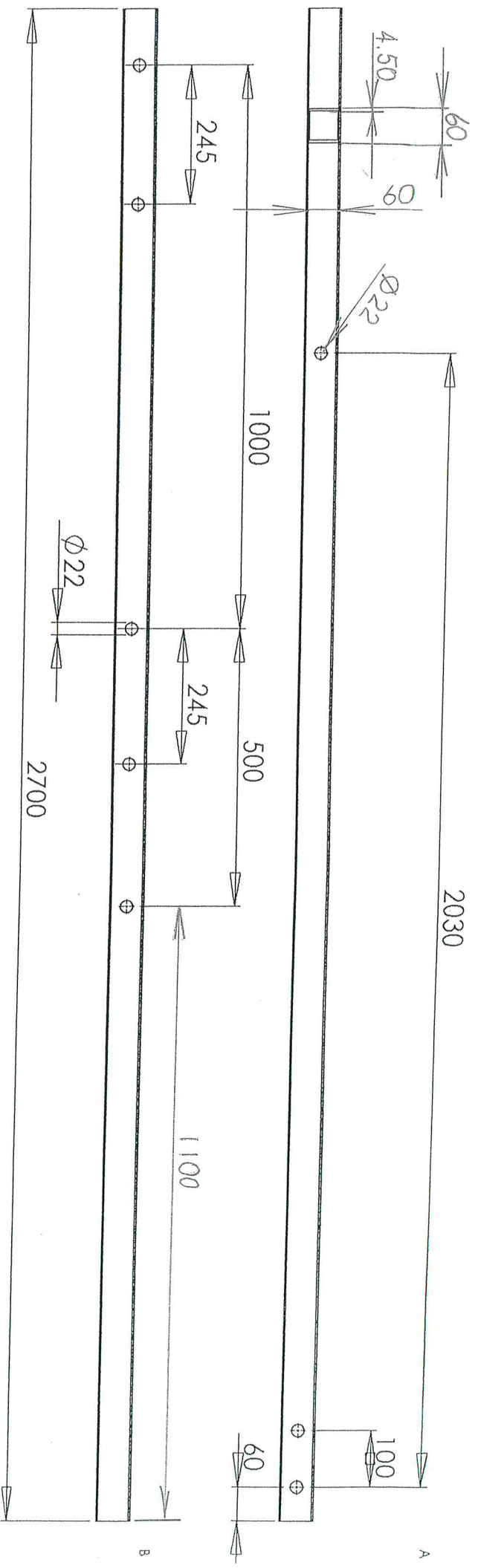
TITLE:

LDZ Infrastruktūras pārvalde
 Inženier tehniskā ceļu grupa

MATERIAL: stiklašķiedras kompozīta kvadrātscaurule 60x60x4.5
 DWG NO. L428.00.02
 WEIGHT: SCALE: 1:20

L428.00.02

A 4



UNLESS OTHERWISE SPECIFIED:
 DIMENSIONS ARE IN MILLIMETERS
 SURFACE FINISH:
 TOLERANCES:
 LINEAR:
 ANGULAR:

FINISH:

DEBUR AND
 BREAK SHARP
 EDGES

DO NOT SCALE DRAWING

REVISION

NAME: Logimovs
 SIGNATURE: [Signature]
 DATE:

TITLE:

LDZ Infrastuktūras pārvalde
 Inženier tehniskā ceļu grupa

DRAWN: Logimovs
 CHK'D:
 APP'VD:
 MFG:
 Q.A.

MATERIAL: stiklašķiedras kompozīta kvadrātcaurule 60x60x4.5
 DWG NO. L428.00.01
 WEIGHT: SCALE: 1:50

L428.00.01

A4