

ITEM NO.	PART NUMBER	DESCRIPTION	QTY.
1	L428a.00.01	Siņa	1
2	L396.00.04	Atbalsts	3
3	L396.00.04-01	Atbalsts	1
4	L396.03.00	Cilpa	4
5	L396.00.60	Cilpa	2
6	L396.00.03	Skava-	16
7	L428a.00.02	Siņa	1
8	L428.00.07	Siņa	1
9	4286.00.08	Siņa	1
10	L396.04.00	SKAVA	2
11	izolator 20kB		3
12	nutM22		4
13	bolim20x100		10
14	nut M20		10
15	L396.06.00	Cilpa	1
16	L396.06.00-01	Cilpa	1
17	bolim16x100		3
18	nut M16		3

UNLESS OTHERWISE SPECIFIED:  
 DIMENSIONS ARE IN MILLIMETERS  
 SURFACE FINISH:  
 UNLESS OTHERWISE SPECIFIED:  
 TOLERANCES:  
 ANGULAR:

DEBUR AND  
 BREAK SHARP  
 EDGES

DO NOT SCALE DRAWING  
 REVISION:  
 LDZ Infrastuktūras pārvalde  
 Inženier tehniskā ceļu grupā

NAME: Loginsovs  
 SIGNATURE: \_\_\_\_\_  
 DATE: \_\_\_\_\_

TITLE:

Kontakta tīkla atbalsts  
 DO-11 U

DWG NO. L428a.01.00

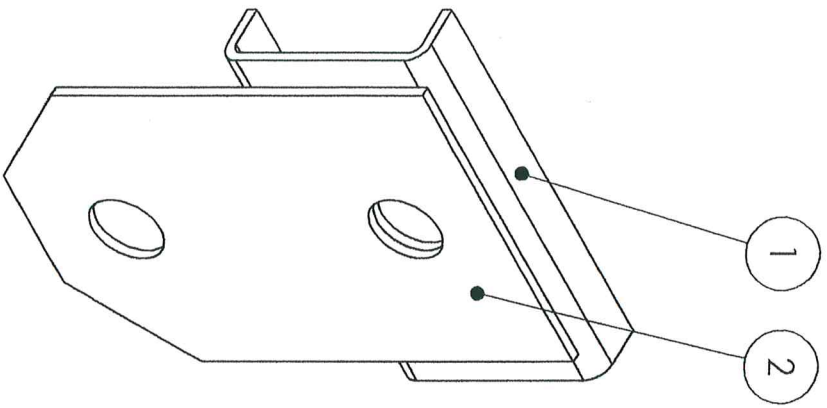
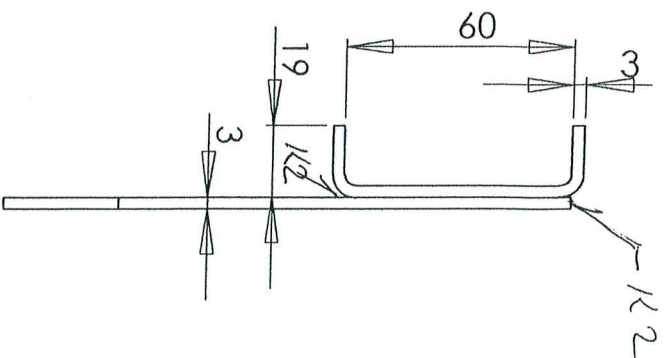
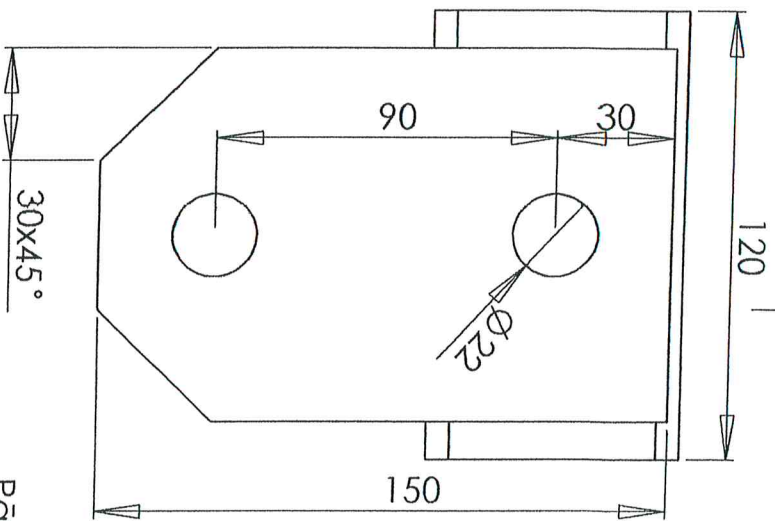
DRWN: Loginsovs  
 CKRD: \_\_\_\_\_  
 APPVD: \_\_\_\_\_  
 MFG: \_\_\_\_\_  
 Q.A: \_\_\_\_\_

A3

SCALE:

DATE:

REVISED:



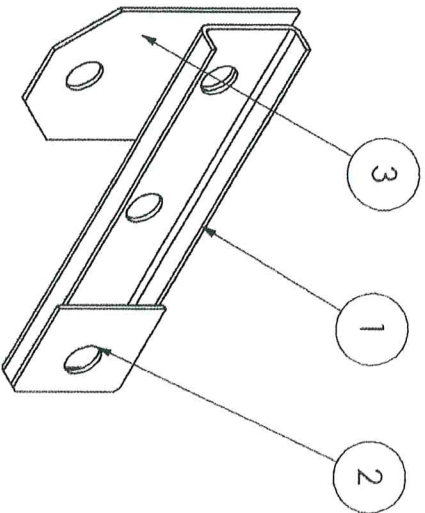
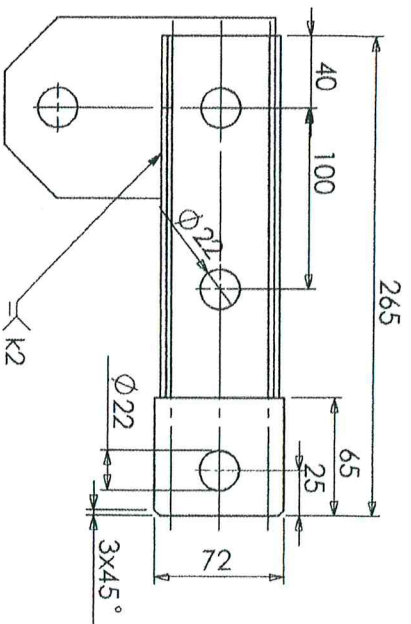
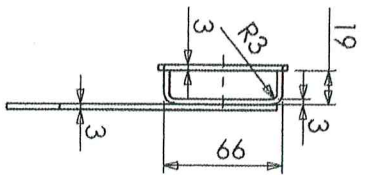
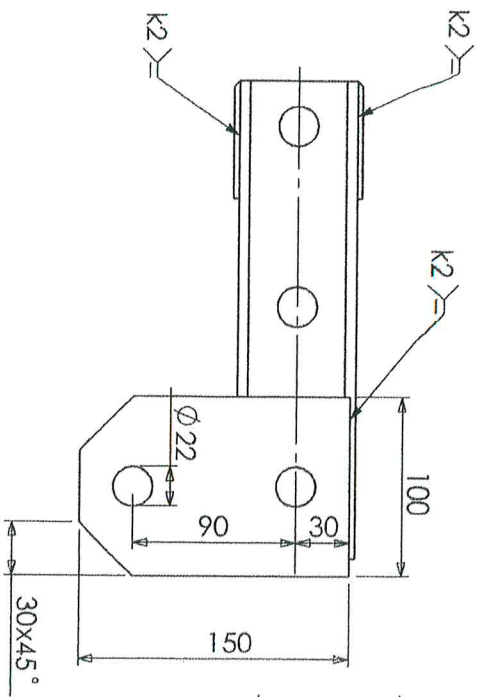
ITEM NO.	PART NUMBER	DESCRIPTION	QTY.
1	L396.00.05	Tērauds20 Ioksnē3	1
2	L396.00.31	Tērauds20 Ioksnē3	1

UNLESS OTHERWISE SPECIFIED:  
 DIMENSIONS ARE IN MILLIMETERS  
 SURFACE FINISH:  
 TOLERANCES:  
 LINEAR:  
 ANGULAR:

FINISH:  
 DEBUR AND  
 BREAK SHARP  
 EDGES

DO NOT SCALE DRAWING  
 REVISION

NAME	SIGNATURE	DATE	TITLE:
Logins	<i>[Signature]</i>		Cilpa
DRAWN			LDZ Infrastruktūras pārvalde Inženiertehniskā ceļu grupa
CHKD			
APPVD			
MFG			
QA			
MATERIAL:			DWG NO.
			L396.03.00
WEIGHT:			SCALE: 1:2
			A4



Pārklājums: cinks6

ITEM NO.	Format	PART NUMBER	DESCRIPTION	QTY.
1	b.r.	L396.00.06	Plāksne	1
2	b.r.	L396.00.61	Skava	1
3	b.r.	L396.00.31	Cilpa	1

UNLESS OTHERWISE SPECIFIED:  
DIMENSIONS ARE IN MILLIMETERS  
SURFACE FINISH:  
TOLERANCES:  
LINEAR:  
ANGULAR:

FINISH:

DEBUR AND  
BREAK SHARP  
EDGES

DO NOT SCALE DRAWING

REVISION

LDZ Infrastruktūras pārvalde  
Inženier tehniskā ceļu grupa

NAME	SIGNATURE	DATE
Loginsovs	<i>[Signature]</i>	14.08
CHKD		
APPVD		
MFG		
Q.A.		

TITLE:

Cilpa

DWG NO.  
L396.06.00

A4

1

2

1

2

3

4

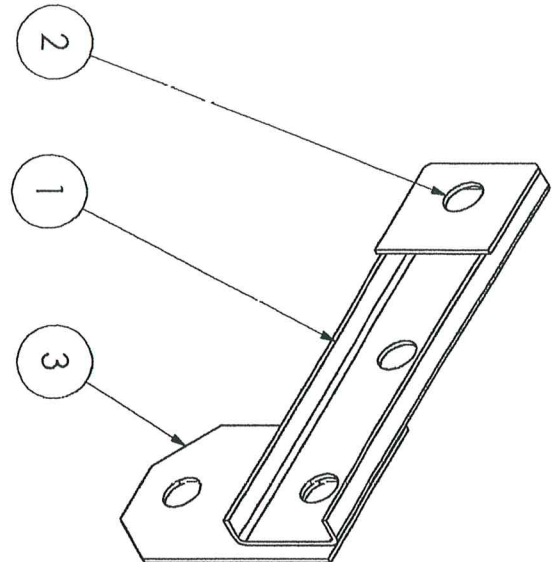
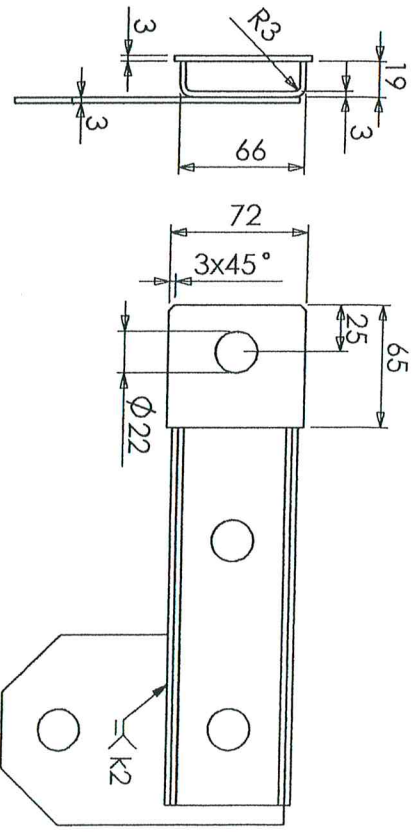
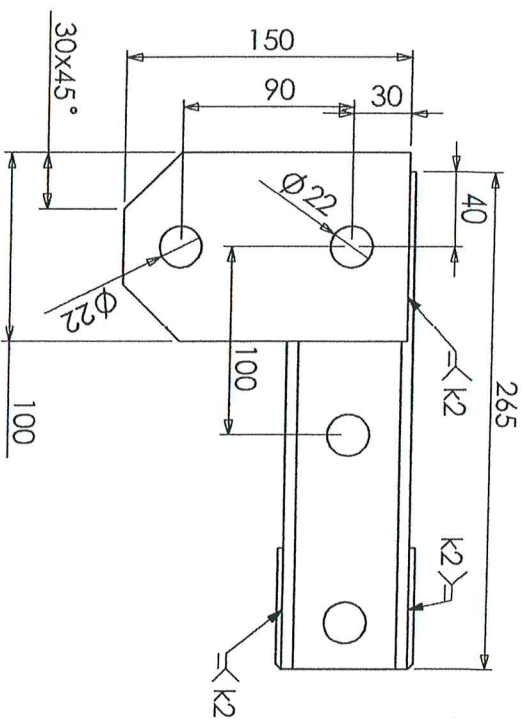
5

6

WEIGHT:

SCALE:1:5

SHEET 1 OF 1



ITEM NO.	PART NUMBER	DESCRIPTION	QTY.
1	L396.00.06		1
2	L396.00.61		1
3	L396.00.31		1

Pārklājums: cinks6

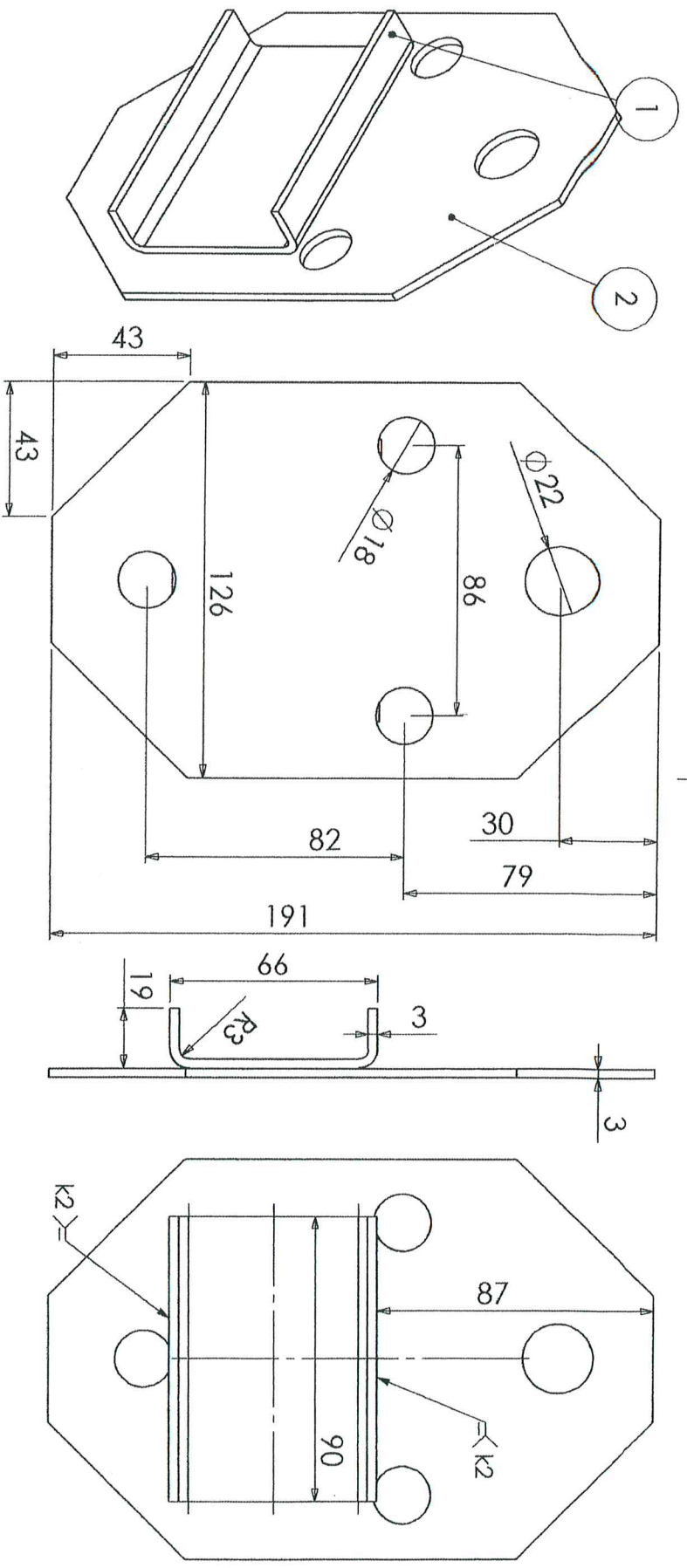
UNLESS OTHERWISE SPECIFIED:  
 DIMENSIONS ARE IN MILLIMETERS  
 SURFACE FINISH:  
 TOLERANCES:  
 LINEAR:  
 ANGULAR:

FINISH:  
 DEBUR AND  
 BREAK SHARP  
 EDGES

DO NOT SCALE DRAWING

REVISION

NAME	ogļinovs	SIGNATURE	DATE	TITLE:	Cilpa
DRAWN					
CHKD					
APPVD					
MFG					
QA					
MATERIAL:				DWG NO.	L396.06.00-01
WEIGHT:				SCALE:1:5	A4



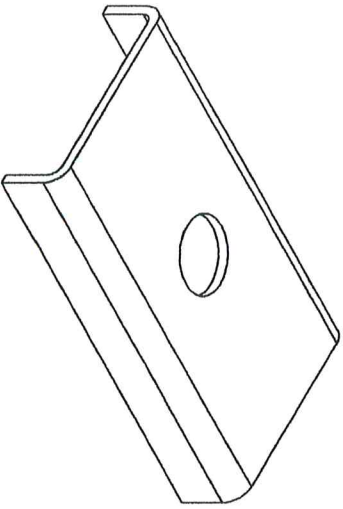
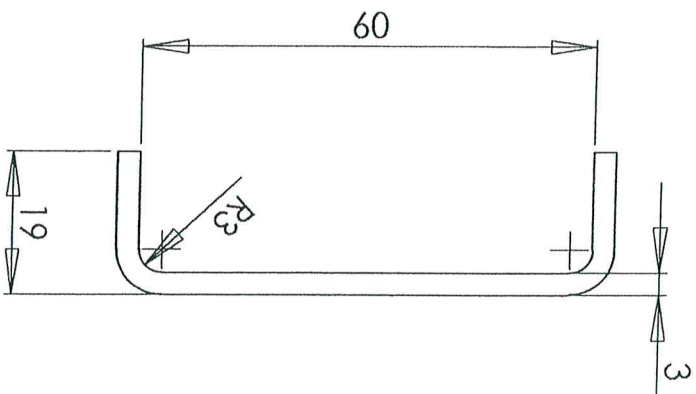
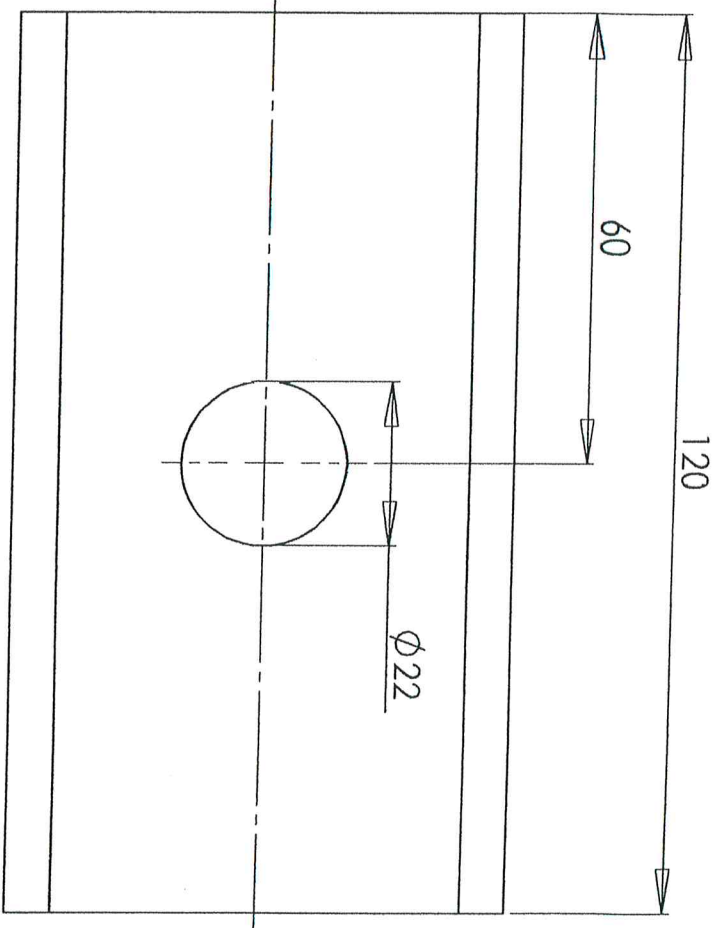
Pārklājums: cinks 6

ITEM NO.	Format	PART NUMBER	QTY.
1	b.r.	L396.00.33	1
2	b.r.	L396.00.32	1

UNLESS OTHERWISE SPECIFIED: DIMENSIONS ARE IN MILLIMETERS SURFACE FINISH: TOLERANCES: LINEAR: ANGULAR:	FINISH:	DEBUR AND BREAK SHARP EDGES
NAME: <b>Logiņovs</b>	SIGNATURE: <i>[Signature]</i>	DATE: <b>7.08</b>
CHKD	APPVD	MFG
Q.A		

TITL:	DO NOT SCALE DRAWING	REVISION
	LDZ Infrastuktūras pārvalde Inženier tehniskā ceļu grupa	
<b>Skavca</b>		

1	2	3	4	5	6
MATERIAL: <b>Tērauds20 loksne3</b>		DWG NO. <b>L396.04.00</b>	A4		
WEIGHT:		SCALE: 1:5	SHEET 1 OF 1		



Pārklājums: cinks 6

UNLESS OTHERWISE SPECIFIED:  
DIMENSIONS ARE IN MILLIMETERS  
SURFACE FINISH:  
TOLERANCES:  
LINEAR:  
ANGULAR:

FINISH:

DEBUR AND  
BREAK SHARP  
EDGES

DO NOT SCALE DRAWING

REVISION

TITLE:  
LDZ Infrastrukūtras pārvalde  
Inženiertehniskā ceļu grupa

Skava

NAME	SIGNATURE	DATE	FINISH	DEBUR AND BREAK SHARP EDGES	TITLE
DRAWN	Loginovs				Skava
CHK'D					
APP'VD					
MFG					
Q.A					

MATERIAL:  
Tērauds20 lokšne3

DWG NO.

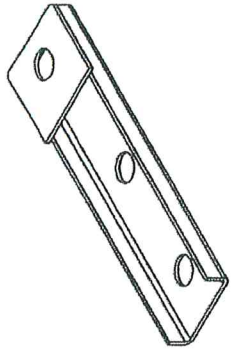
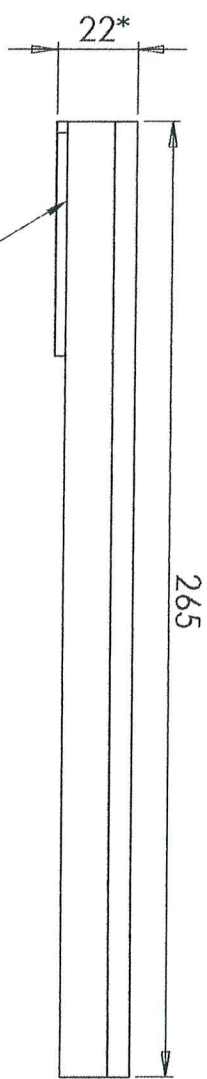
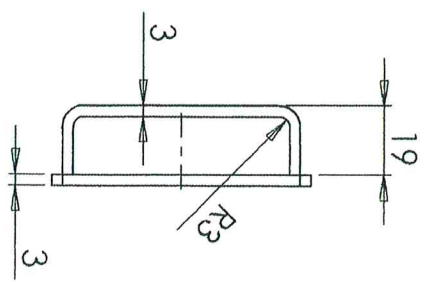
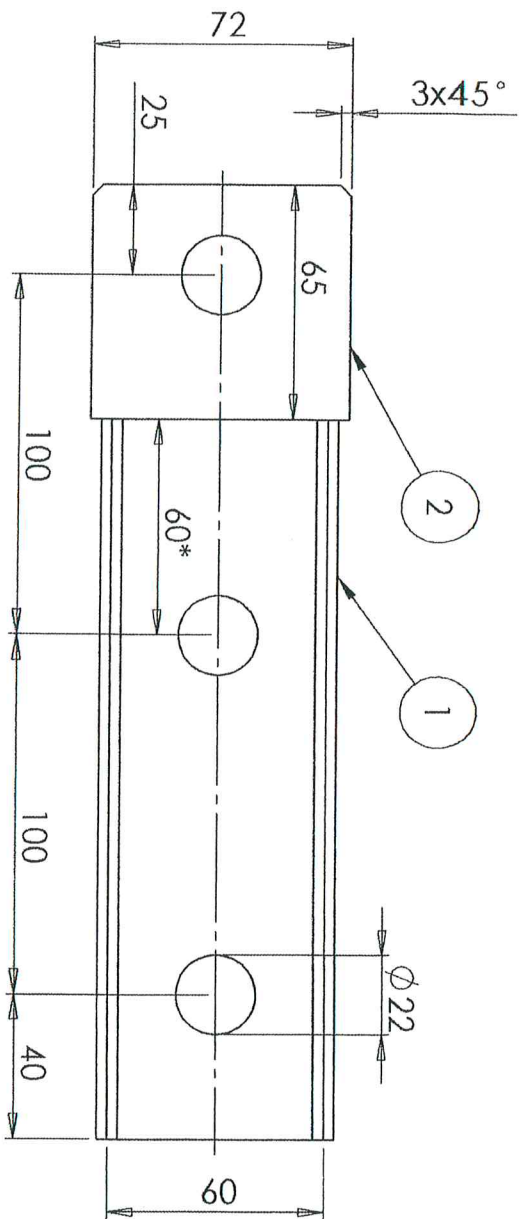
L396.00.03

WEIGHT:

SCALE: 1:1

SHEET 1 OF 1

A4



ITEM NO.	FORMAT	PART NUMBER	DESCRIPTION	QTY.
1	b.r.	L396.00.06	Tērauds 20 loksne3	1
2	b.r.	L396.00.61	Tērauds 3 loksne3	1

Pārklājums: cinks 6

UNLESS OTHERWISE SPECIFIED:  
DIMENSIONS ARE IN MILLIMETERS  
SURFACE FINISH:  
TOLERANCES:  
LINEAR:  
ANGULAR:

FINISH:  
DEBUR AND  
BREAK SHARP  
EDGES

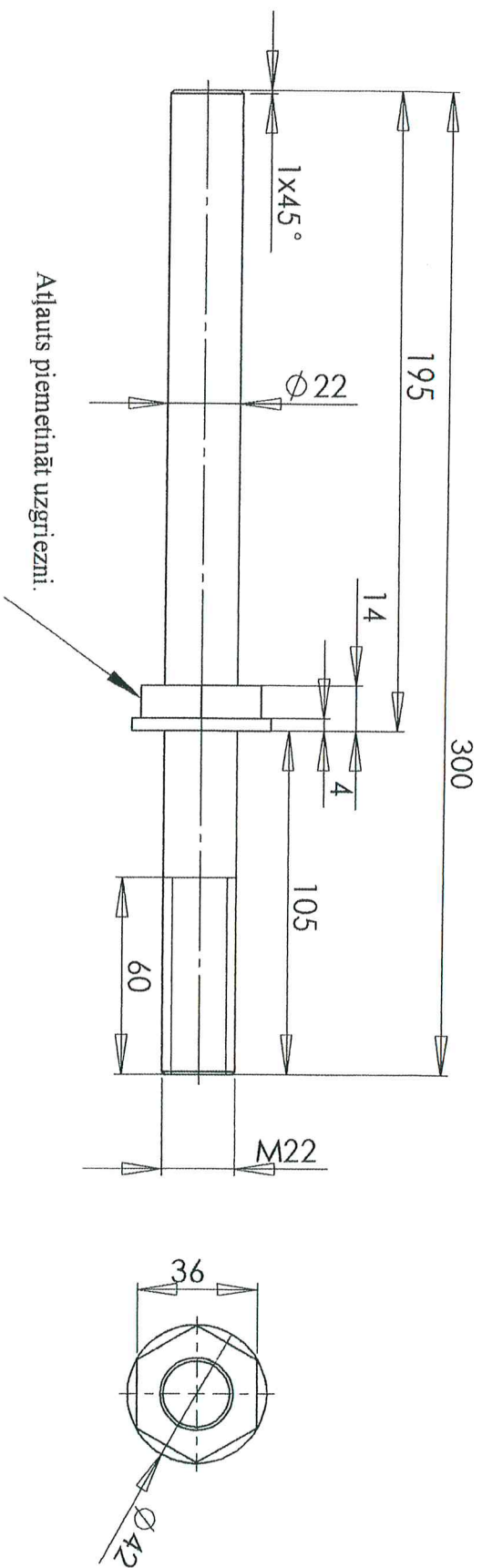
DO NOT SCALE DRAWING  
REVISION

DRAWN	NAME	SIGNATURE	DATE
CHKD	Loginovs	[Signature]	7.08.
APPVD			
MFC			
Q.A.			

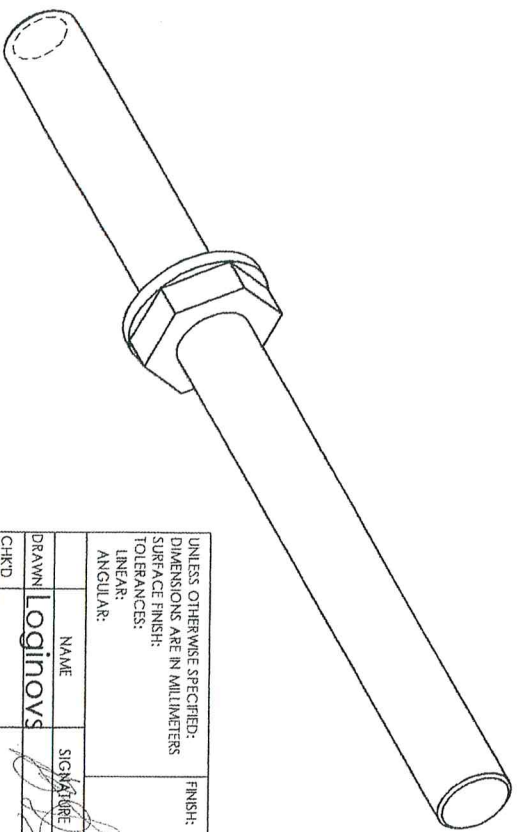
TITLE:  
LDZ Infrastuktūras pārvalde  
Inženier tehniskā ceļu grupa  
**Cilpa**

DWG NO.  
**L396.00.60**

A4



Pārklājums: cinks 6



UNLESS OTHERWISE SPECIFIED: DIMENSIONS ARE IN MILLIMETERS		FINISH:		DEBUR AND BREAK SHARP EDGES	
SURFACE FINISH:					
TOLERANCES:					
LINEAR:					
ANGULAR:					
DRAWN	NAME	SIGNATURE	DATE	TITLE:	
CHKD	Logins	<i>[Signature]</i>	7.08	DO NOT SCALE DRAWING	
APPRD				REVISION	
MFG				LDZ infrastruktūras pārvalde	
QA				Inženier tehniskā ceļu grupa	
MATERIAL:			DWG NO.		
Tērauds 3			L396.00.04-01		
WEIGHT:			SCALE: 1:3		
			SHEET 1 OF 1		
			A4		

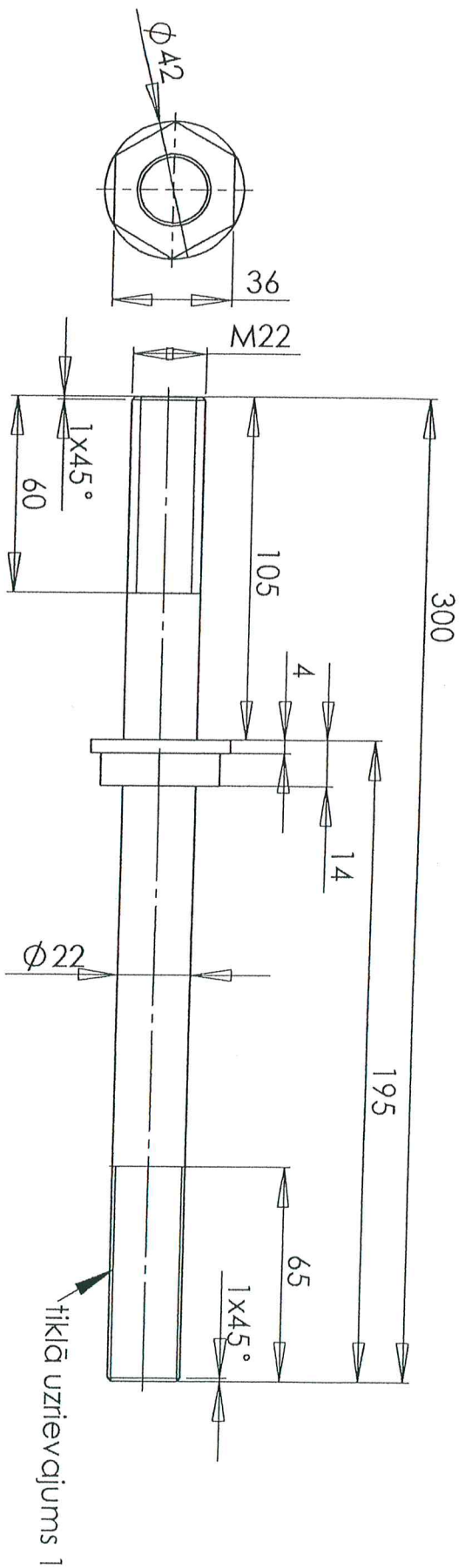
Atbalsts

L396.00.04-01

A4

SHEET 1 OF 1





Pārklājums: cinks 6

UNLESS OTHERWISE SPECIFIED:  
DIMENSIONS ARE IN MILLIMETERS  
SURFACE FINISH:  
TOLERANCES:  
LINEAR:  
ANGULAR:

FINISH:

DEBUR AND  
BREAK SHARP  
EDGES

DO NOT SCALE DRAWING

REVISION

NAME	SIGNATURE	DATE
Logiņovs		

TITLE:

Tapca

LDZ Infrastruktūras pārvalde  
Inženiertehniskā ceļu grupa

QA

MATERIAL:

Tērauds3

DWG NO.

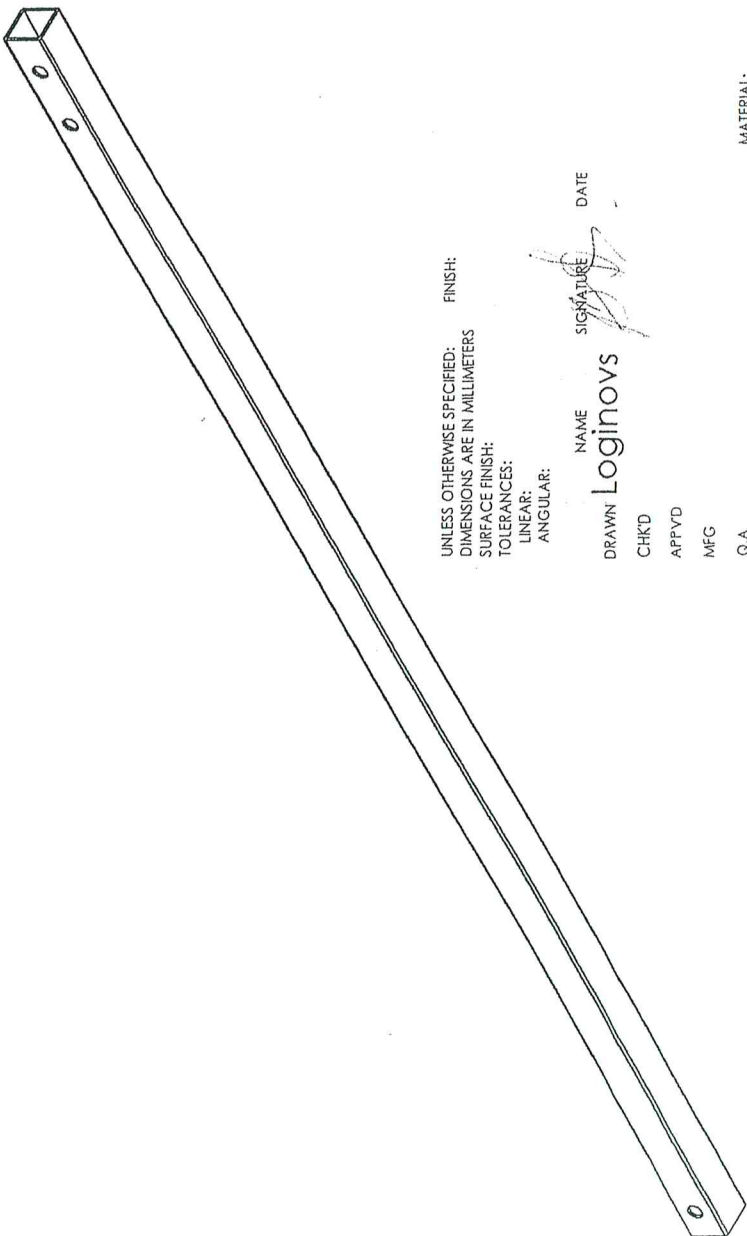
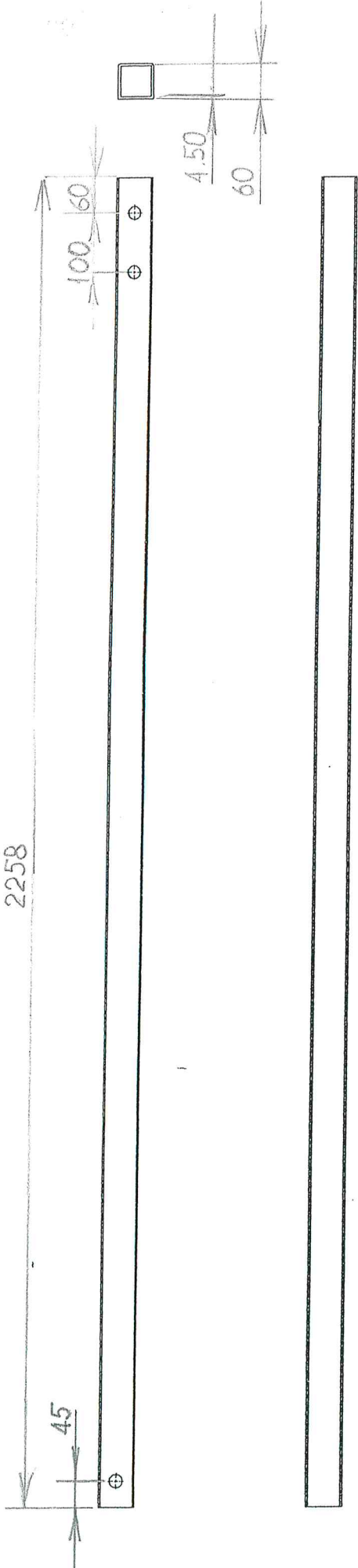
L396.00.04

A4

WEIGHT:

SCALE:1:5

SHEET 1 OF 1



UNLESS OTHERWISE SPECIFIED: FINISH: DO NOT SCALE DRAWING REVISION

DIMENSIONS ARE IN MILLIMETERS SURFACE FINISH: DEBUR AND BREAK SHARP EDGES

TOLERANCES: LINEAR: ANGULAR:

LDZ Infrastuktūras pārvalde  
Inženier tehniskā ceļu grupa

DRAWN Logjnovs NAME SIGNATURE DATE

CHK'D  
APP'VD  
MFG  
Q.A

TITLE:

MATERIAL: stiklašķiedras kompozīta kvadrāta caurule 60x60x4.5

DWG NO.

L428.00.07

WEIGHT:

SCALE: 1:50

SHEET 1 OF 1

A 4

6

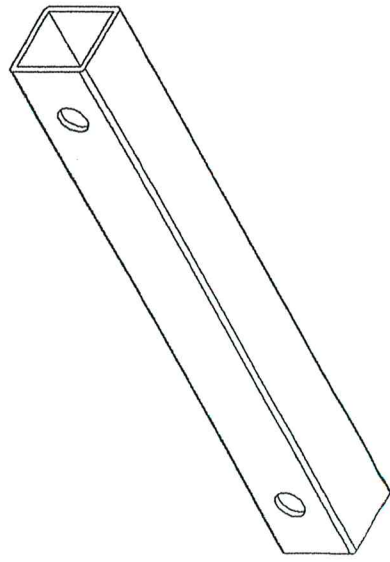
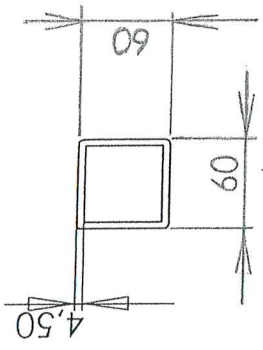
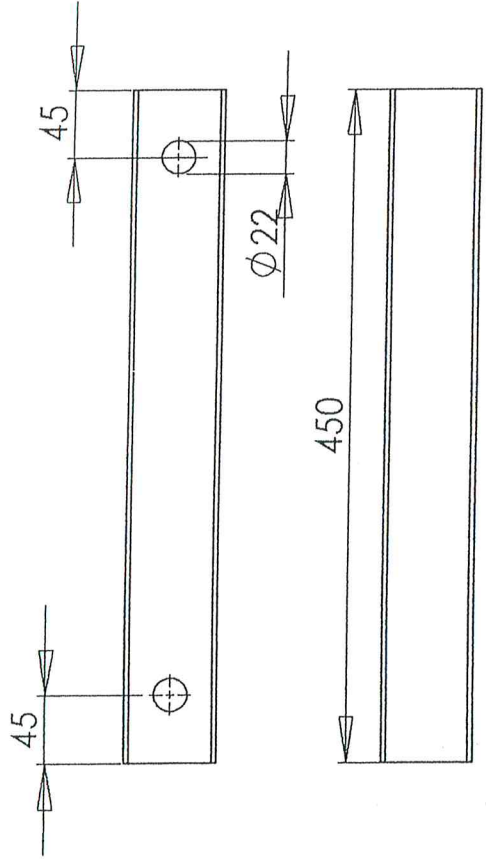
5

4

3

2

1



UNLESS OTHERWISE SPECIFIED:  
 DIMENSIONS ARE IN MILLIMETERS  
 SURFACE FINISH:  
 TOLERANCES:  
 LINEAR:  
 ANGULAR:

FINISH:  
 DEBUR AND  
 BREAK SHARP  
 EDGES

DO NOT SCALE DRAWING

REVISION

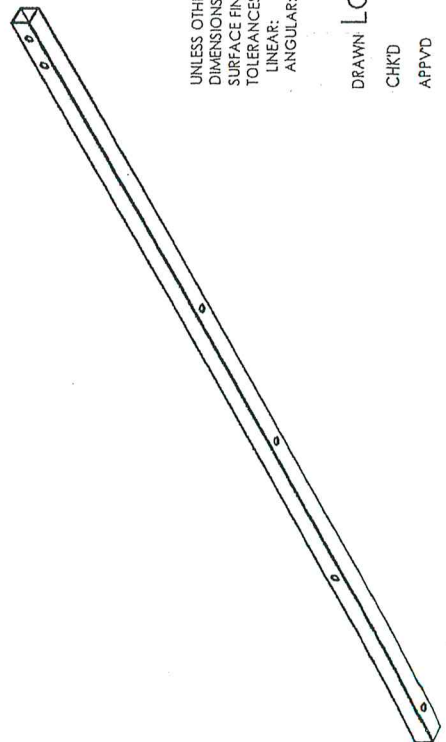
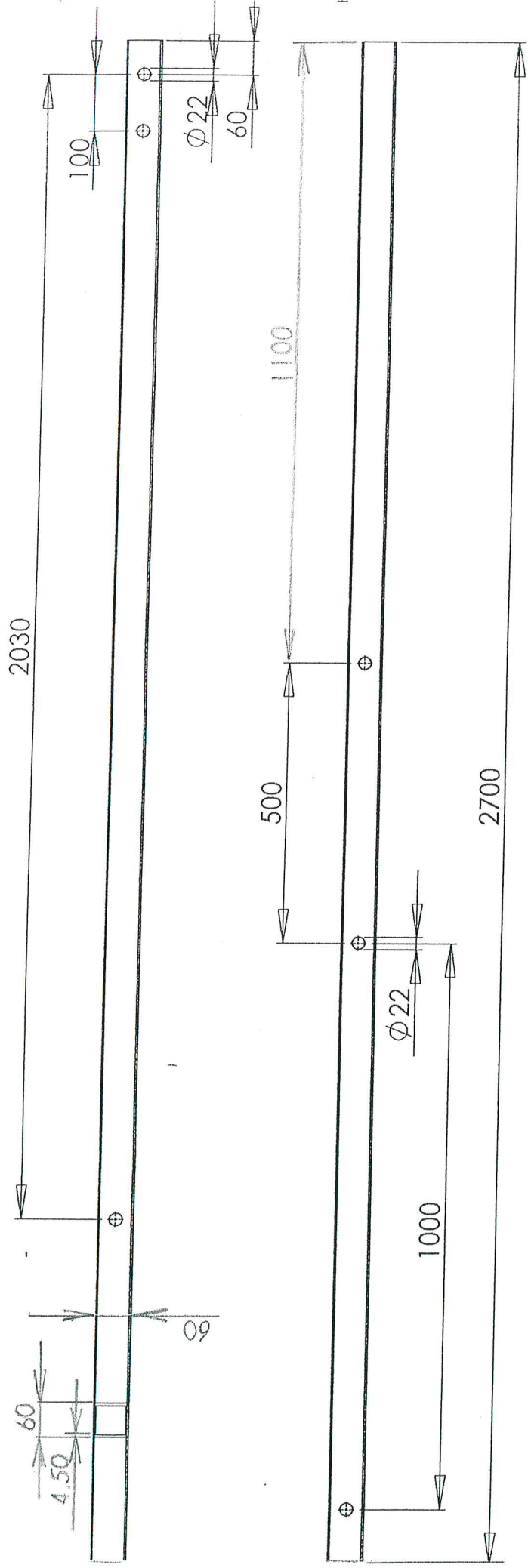
TITLE:  
 LDZ infrastruktūras pārvalde  
 inženier tehniskā ceļu grupa

DRAWN NAME: Logins  
 CHK'D SIGNATURE: [Signature]  
 APP'VD DATE:  
 MFG  
 Q.A

MATERIAL:  
 stiklašķiedras kompozīta  
 kvadrātaurule 60x60x4.5

DWG. NO. 4286.00.08

A4



UNLESS OTHERWISE SPECIFIED:  
 DIMENSIONS ARE IN MILLIMETERS  
 SURFACE FINISH:  
 TOLERANCES:  
 LINEAR:  
 ANGULAR:

FINISH:

DEBUR AND  
 BREAK SHARP  
 EDGES

DO NOT SCALE DRAWING

REVISION

LDZ Infrastuktūras pārvalde  
 Inženier tehniskā ceļu grupa

TITLE:

NAME SIGNATURE DATE

DRAWN Logins

CHKD  
 APPVD  
 MFG  
 Q.A

MATERIAL:  
 stiklašķiedras kompozīta  
 kvadrātdaurule 60x60x4.5

DWG NO.

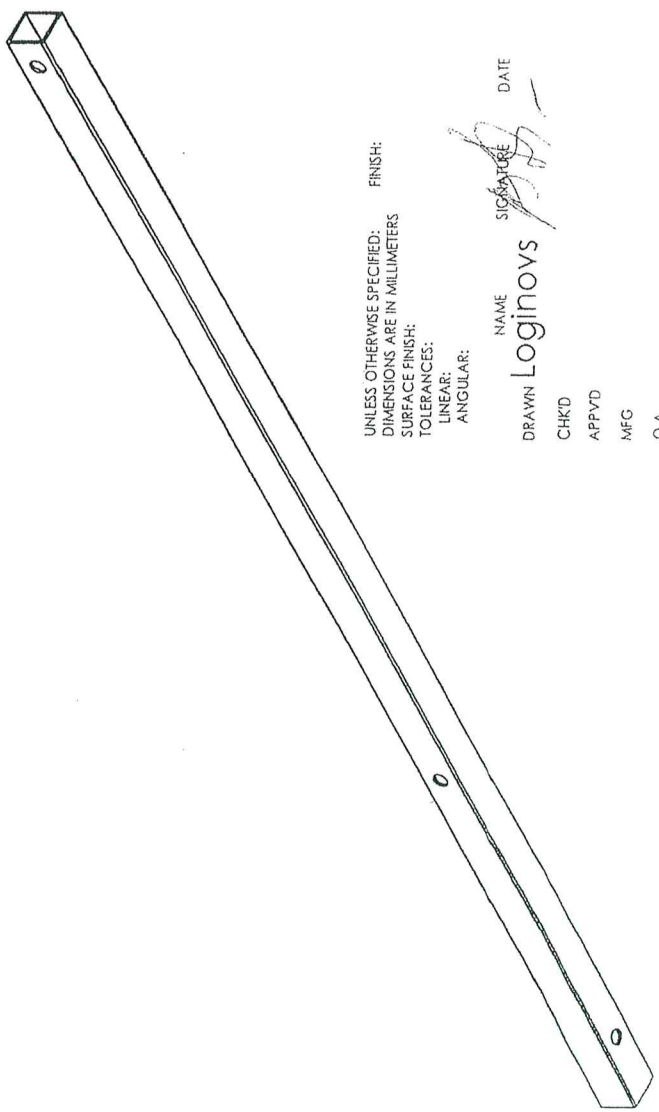
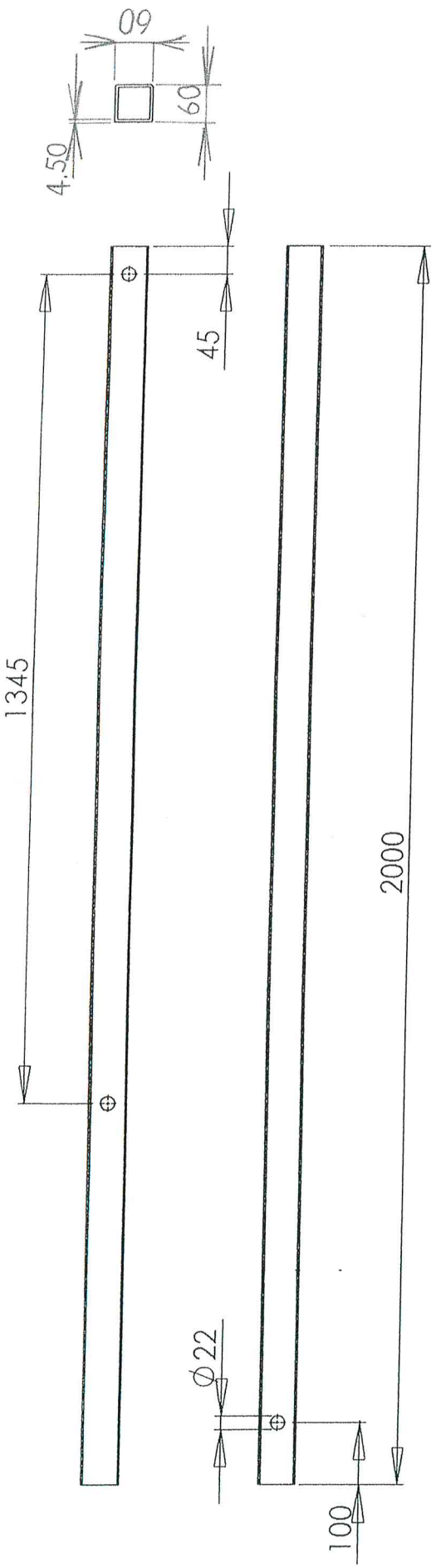
L428a.00.01

A4

WEIGHT:

SCALE: 1:50

SHEET 1 OF 1



UNLESS OTHERWISE SPECIFIED:  
 DIMENSIONS ARE IN MILLIMETERS  
 SURFACE FINISH:  
 TOLERANCES:  
 LINEAR:  
 ANGULAR:

DEBUR AND  
 BREAK SHARP  
 EDGES

DO NOT SCALE DRAWING

REVISION

TITLE:  
 LDZ infrastruktūras pārvalde  
 Inženier tehniskā ceļu grupa

NAME: Logiņovs  
 SIGNATURE: [Signature]  
 DATE:

DRAWN: [Blank]  
 CHK'D: [Blank]  
 APP'VD: [Blank]  
 MFG: [Blank]  
 Q.A: [Blank]

MATERIAL: stiklašķiedras kompozīta kvadrātsaurule 60x60x4,5

DWG NO. L428a.00.02

WEIGHT: 5,7416-1,70