

ITEM NO.	FORMAT	PART NUMBER	DESCRIPTION	QTY.
1	A4	L396.00.01	Sija	1
2	A4	L396.00.04	Atbalsts	6
3	A4	L396.00.04-01	Atbalsts	1
4	A4	L396.03.00	Cilpa	4
5	A4	L396.00.60	Cilpa	2
6	A4	L396.00.03	Skava	22
7	A4	L396.00.02	Sija	1
8	A4	L396.00.07	Sija	1
9	A4	L396.00.08	Sija	1
10	A4	L396.04.00	Skava	2
11		izolator 20kV		6
12		nut M22		7
13		bolts M20x100		10
14		nut M20		10
15	A4	L396.06.00	Cilpa	1
16	A4	L396.06.00-01	Cilpa	1
17		bolts M16x100		3
18		nut M16		3

UNLESS OTHERWISE SPECIFIED:
 DIMENSIONS ARE IN MILLIMETERS
 SURFACE FINISH:
 TOLERANCES:
 LINEAR:
 ANGULAR:

FINISH:
 DEBUR AND
 BREAK SHARP
 EDGES

NAME: Loginovs
 SURV: [Signature]
 DATE: 17.08

DRAWN: [Signature]
 CHKD: [Signature]
 APPVD: [Signature]
 MFG: [Signature]
 Q.A. [Signature]

DO NOT SCALE DRAWING REGION

LDZ infrastruktūras parvalde
 Inženier tehniskā ceļu grupa

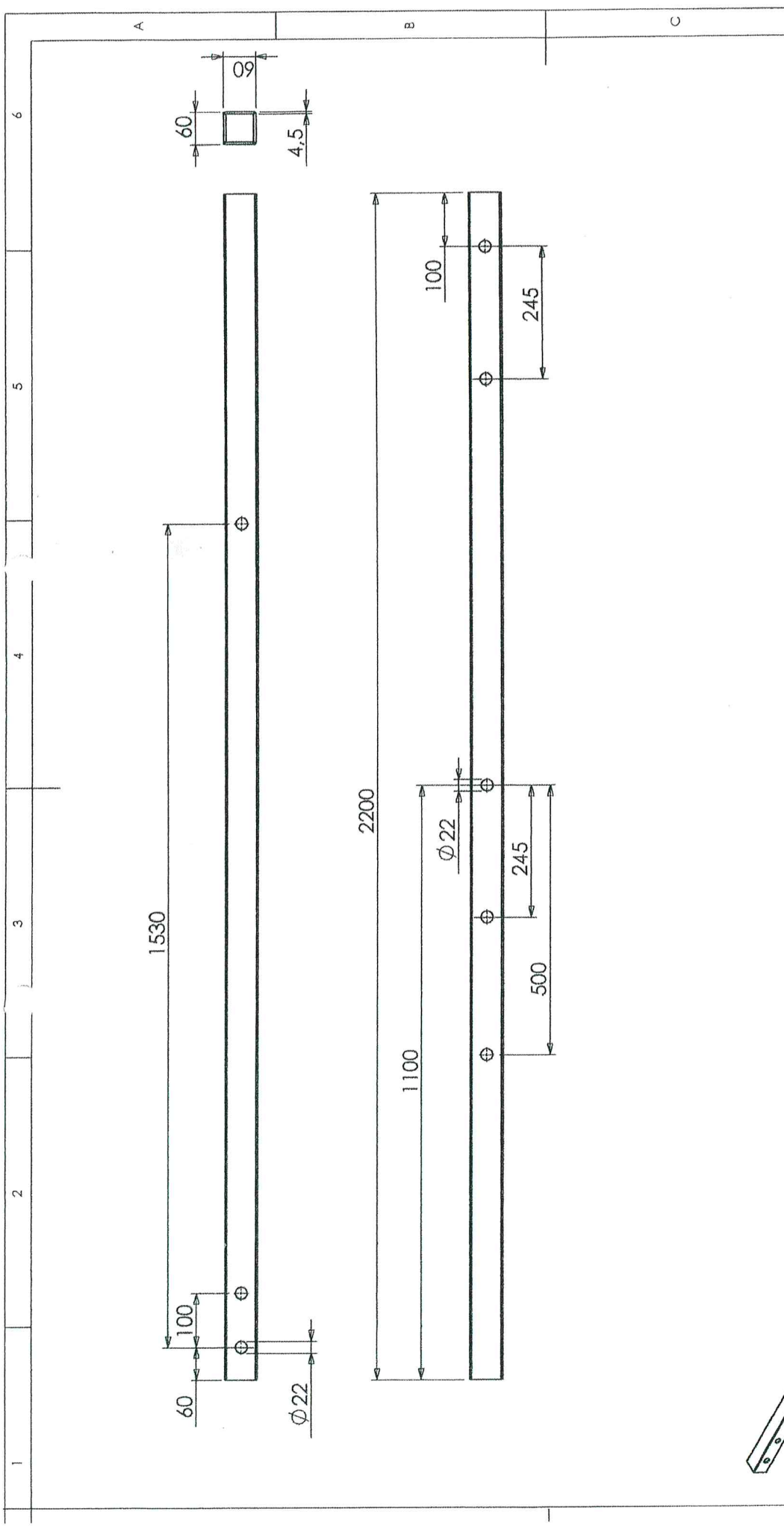
TITLE:

Kontakta rīkla atbalsts
DO-II 2

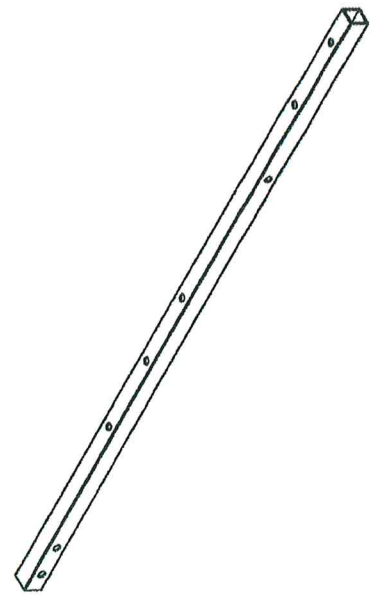
DWG NO.

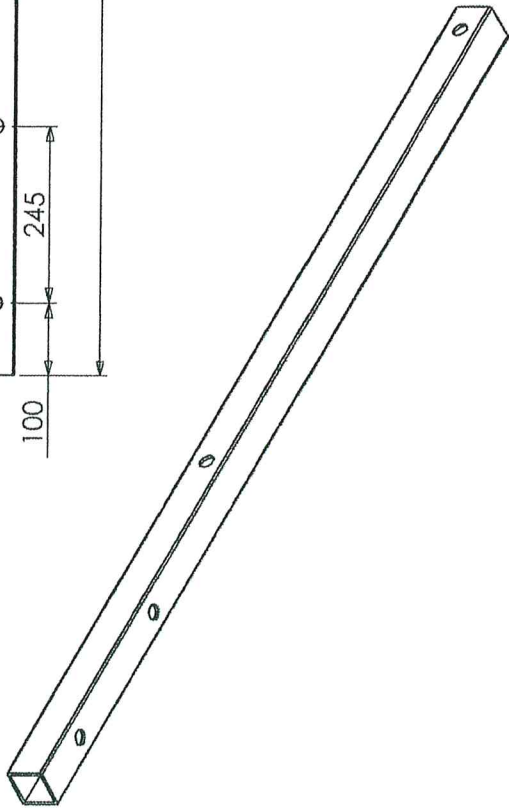
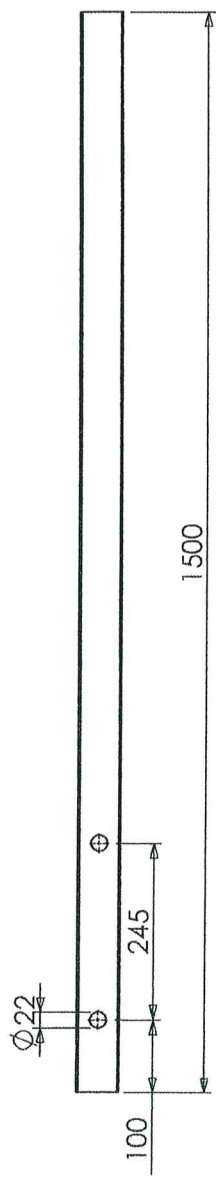
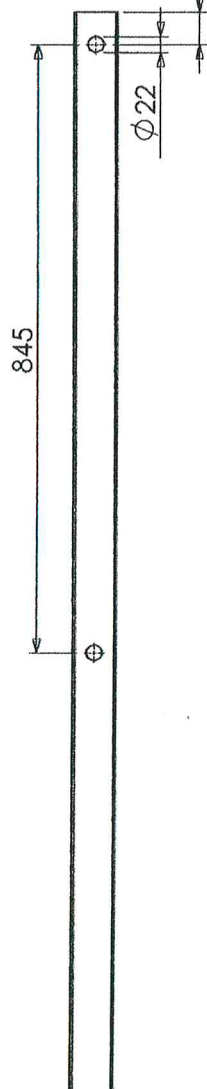
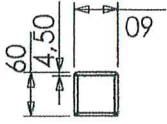
L396.01.00

A3

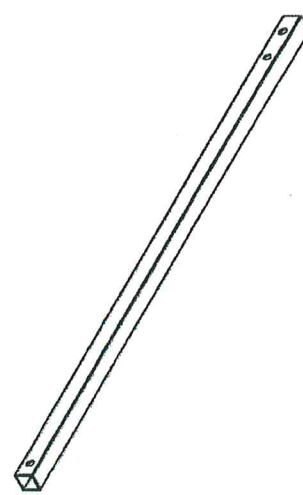
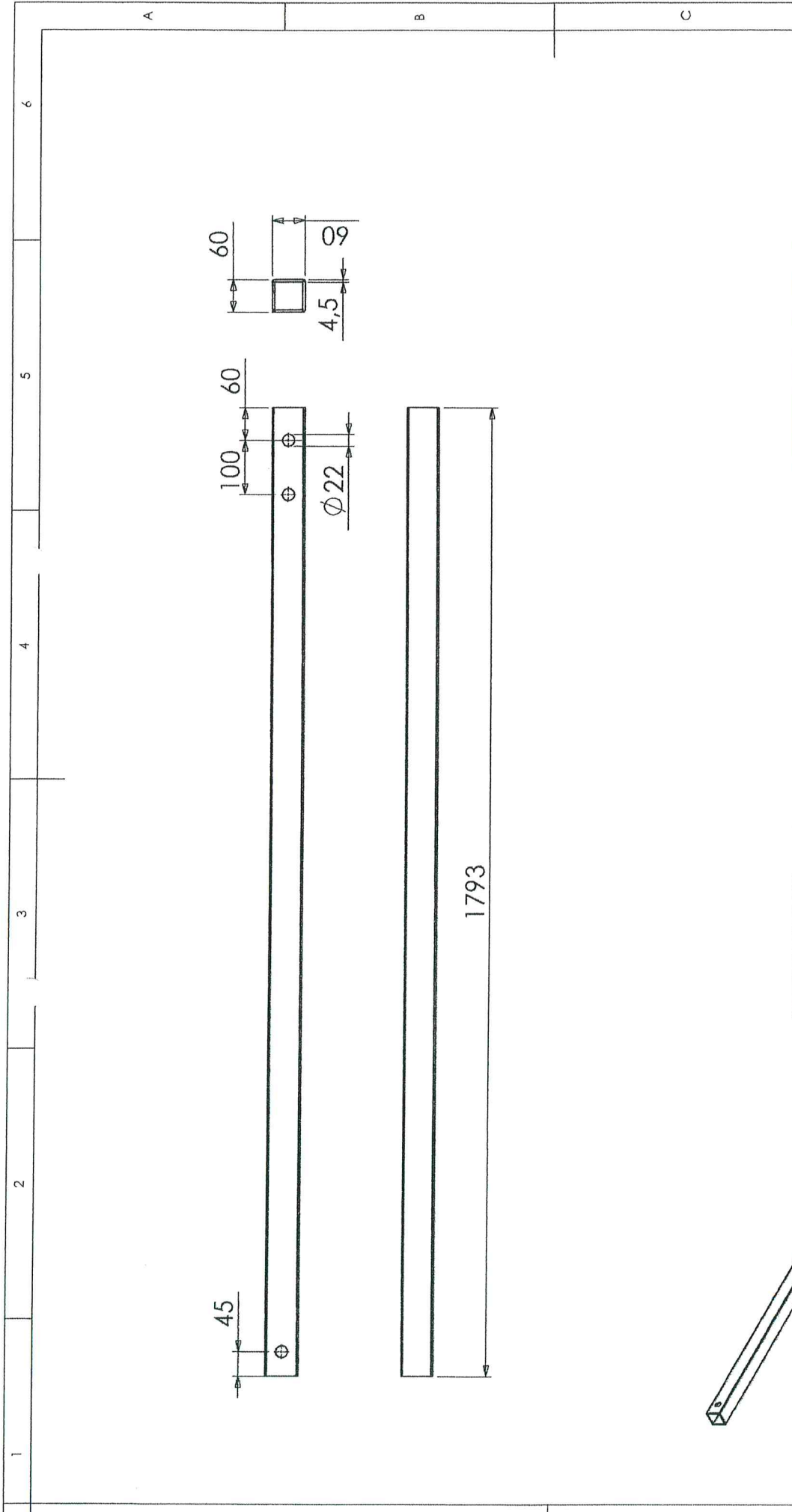


UNLESS OTHERWISE SPECIFIED: DIMENSIONS ARE IN MILLIMETERS		FINISH:		DEBUR AND BREAK SHARP EDGES		DO NOT SCALE DRAWING		REVISION	
SURFACE FINISH:						LDZ infrastruktūras pārvalde			
TOLERANCES:						Inženiertehniskā ceļu grupa			
LINEAR:						TITLE:			
ANGULAR:						Sija			
DRAWN	NAME	SIGNATURE	DATE			DWC NO.		A4	
CHK'D	Loginovs	<i>[Signature]</i>	7.08			L396.00.01			
APP'VD						SCALE: 1:20			
MFG						SHEET 1 OF 1			
G.A.						WEIGHT:			
				MATERIAL:		stiklašķiedras kompozīta kvadrātaurule 60x60x4.5			

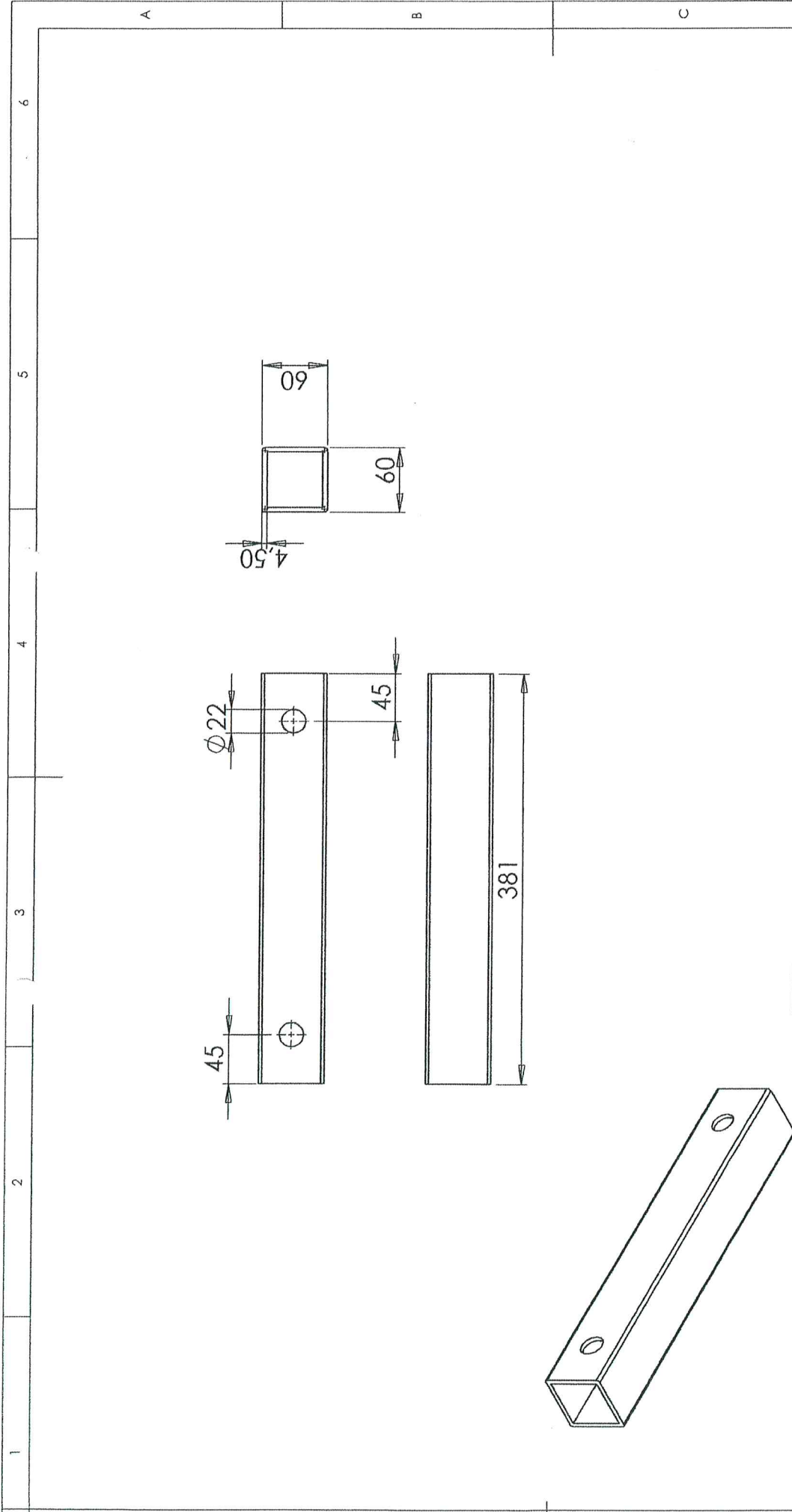




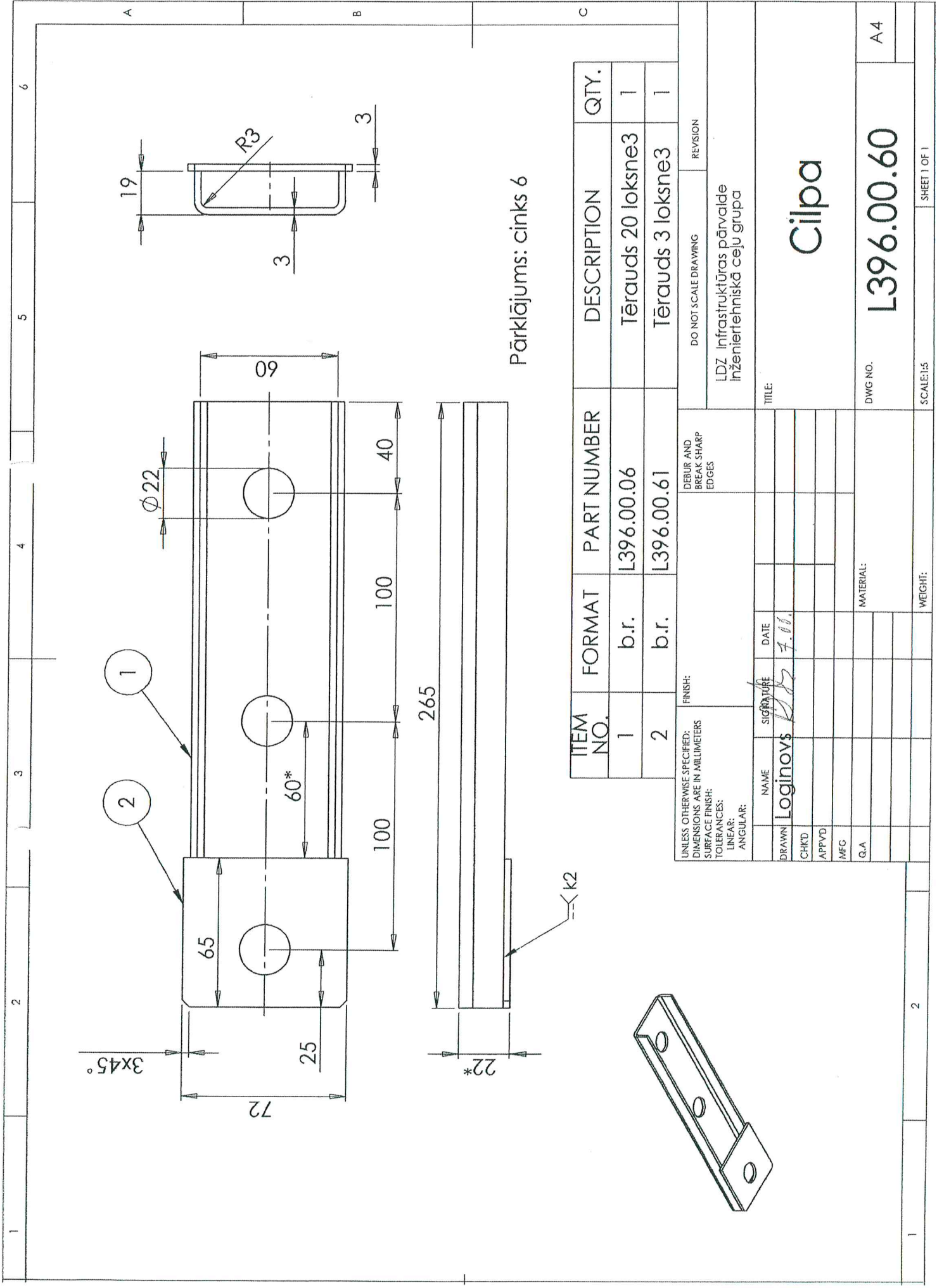
UNLESS OTHERWISE SPECIFIED: DIMENSIONS ARE IN MILLIMETERS		FINISH:		DEBUR AND BREAK SHARP EDGES		DO NOT SCALE DRAWING		REVISION	
SURFACE FINISH:						LDZ infrastruktūras pārvalde			
TOLERANCES:						Inženier tehniskā ceļu grupa			
LINEAR:						TITLE:			
ANGULAR:						Sija			
DRAWN		NAME		SIGNATURE		DATE		DWG NO.	
CHK'D		Loginovs		<i>[Signature]</i>		4.08		L396.00.02	
APP'VD								SCALE: 1:10	
MFG								SHEET 1 OF 1	
Q.A								A	
MATERIAL:		stiklašķiedras kompozīta kvadrāta caurule 60x60x4.5		WEIGHT:					



UNLESS OTHERWISE SPECIFIED: DIMENSIONS ARE IN MILLIMETERS		FINISH:		DEBUR AND BREAK SHARP EDGES		DO NOT SCALE DRAWING		REVISION	
SURFACE FINISH:		SIGNATURE		DATE		LDZ infrastruktūras pārvalde Inženier tehniskā ceļu grupa			
TOLERANCES:		DRAWN		LOGINOVS		TITLE:			
LINEAR:		CHK'D				Sija			
ANGULAR:		APP'VD				DWG NO. L396.00.07			
		MFG				SCALE: 1:20			
		Q.A.				SHEET 1 OF 1			
		MATERIAL:		stiklašķiedras kompozīta kvadrāta caurule 60x60x4.5		A4			
		WEIGHT:							



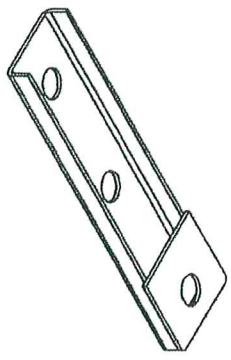
UNLESS OTHERWISE SPECIFIED: DIMENSIONS ARE IN MILLIMETERS		FINISH:		DERBUR AND BREAK SHARP EDGES		DO NOT SCALE DRAWING		REVISION	
SURFACE FINISH:								LDZ Infrastruktūras pārvalde	
TOLERANCES:								Inženier tehniskā ceļu grupa	
LINEAR:								TITLE:	
ANGULAR:								Sija	
DRAWN	NAME	SIGNATURE	DATE					DWG NO.	
CHKD	Loginovs	<i>[Signature]</i>	27.08					L396.00.08	
APPVD								A4	
MEG								SCALE:1:5	
G.A								SHEET 1 OF 1	
				MATERIAL:					
				stiklašķiedras kompozīta					
				kvadrāta caurule 60x60x4.5					
				WEIGHT:					

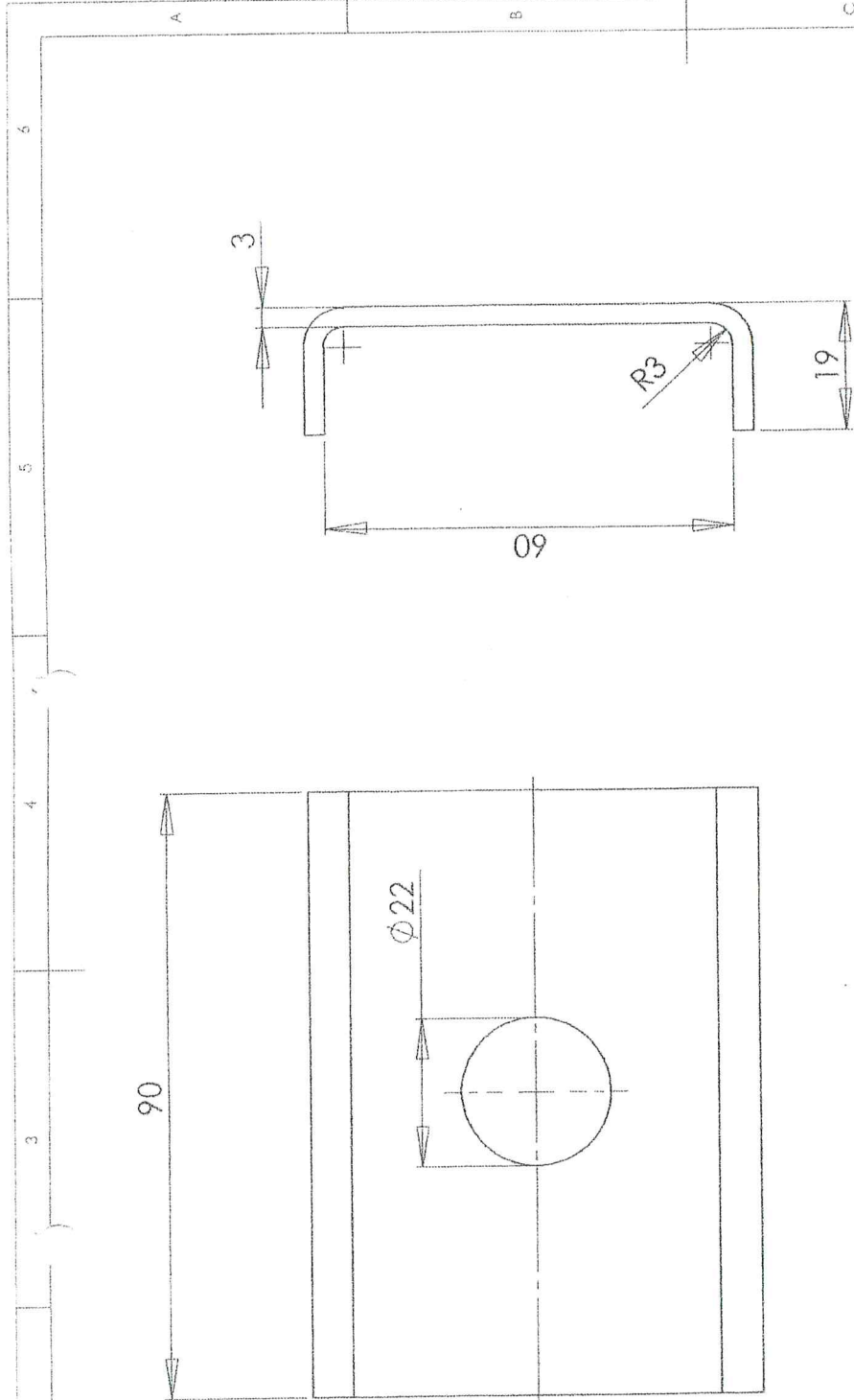


Pārklājums: cinks 6

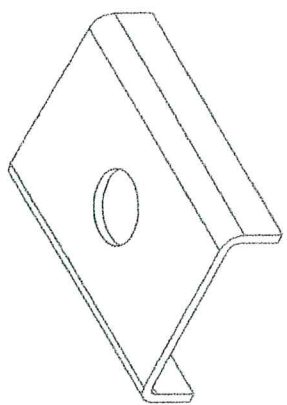
ITEM NO.	FORMAT	PART NUMBER	DESCRIPTION	QTY.
1	b.r.	L396.00.06	Tērauds 20 loksne3	1
2	b.r.	L396.00.61	Tērauds 3 loksne3	1

UNLESS OTHERWISE SPECIFIED: DIMENSIONS ARE IN MILLIMETERS		FINISH:		DO NOT SCALE DRAWING		REVISION	
SURFACE FINISH:		DEBUR AND BREAK SHARP EDGES		LDZ infrastruktūras pārvalde			
TOLERANCES:				Inženier tehniskā ceļu grupa			
LINEAR:				TITLE:			
ANGULAR:				Cilpa			
DRAWN	NAME	SIGNATURE	DATE	DWG NO.			
CHKD	Loginovs	<i>[Signature]</i>	7.08.	L396.00.60			
APPVD				A4			
MFG				SCALE: 1:5			
Q.A.				SHEET 1 OF 1			

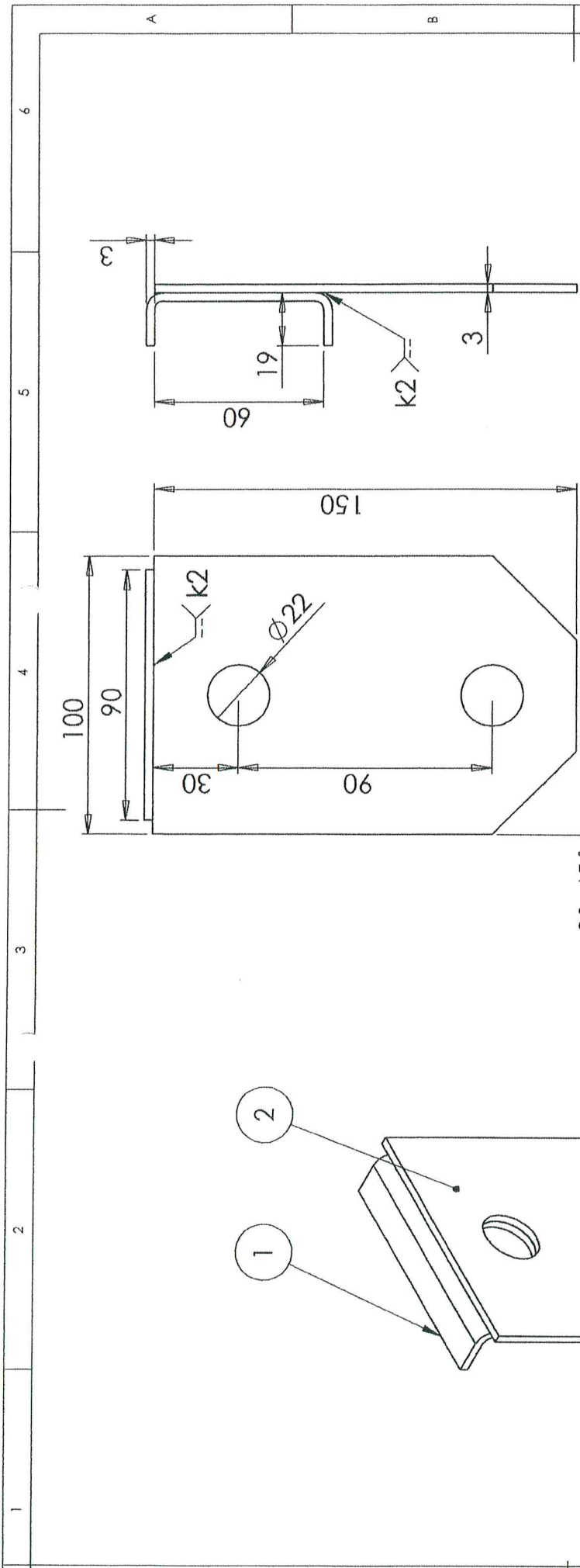




Pārklājums: cinks 6



UNLESS OTHERWISE SPECIFIED: DIMENSIONS ARE IN MILLIMETERS		FINISH:		DEFUR AND BREAK SHARP EDGES		DO NOT SCALE DRAWING		REVISION	
SURFACE FINISH:		NAME:		DRAWN		LDZ. Infrastruktūras pārvalde			
TOLERANCES:		SIGNATURE:		CHECKED		Inženier tehniskā ceļu grupa			
LINEAR:		DATE:		APPROVED		TITLE:			
ANGULAR:		2.2.08		MFG		Skava			
		DRAWN: Loginovs		Q.A.		DWG. NO. L396.00.03		A4	
						MATERIAL: Tērauds20 loksne3			
						SCALE: 1:2		SHEET 1 OF 1	
						WEIGHT:			



Pārklājums: cinks 6

ITEM NO.	FORMAT	PART NUMBER	DESCRIPTION	QTY.
1	A4	L396.00.03	Skava- Tērauds20 loksne3	1
2	b.r.	L396.00.31	Cilpa- Tērauds20 loksne3	1

UNLESS OTHERWISE SPECIFIED:
DIMENSIONS ARE IN MILLIMETERS
SURFACE FINISH:
TOLERANCES:
LINEAR:
ANGULAR:

FINISH:
DEBUR AND
BREAK SHARP
EDGES

DO NOT SCALE DRAWING

REVISION

LDZ Infrastuktūras pārvalde
Inženiertehniskā ceļu grupa

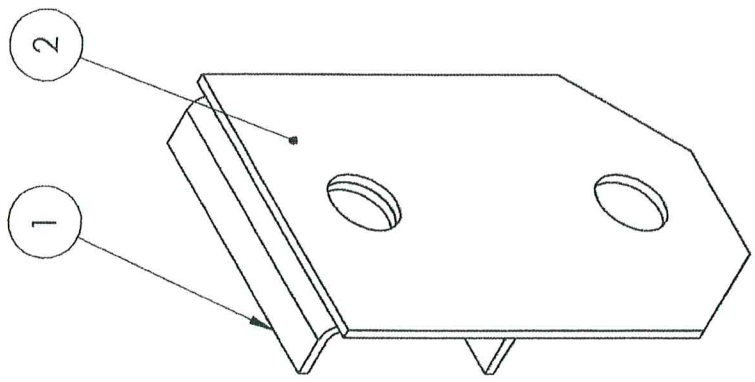
TITLE:
Cilpa

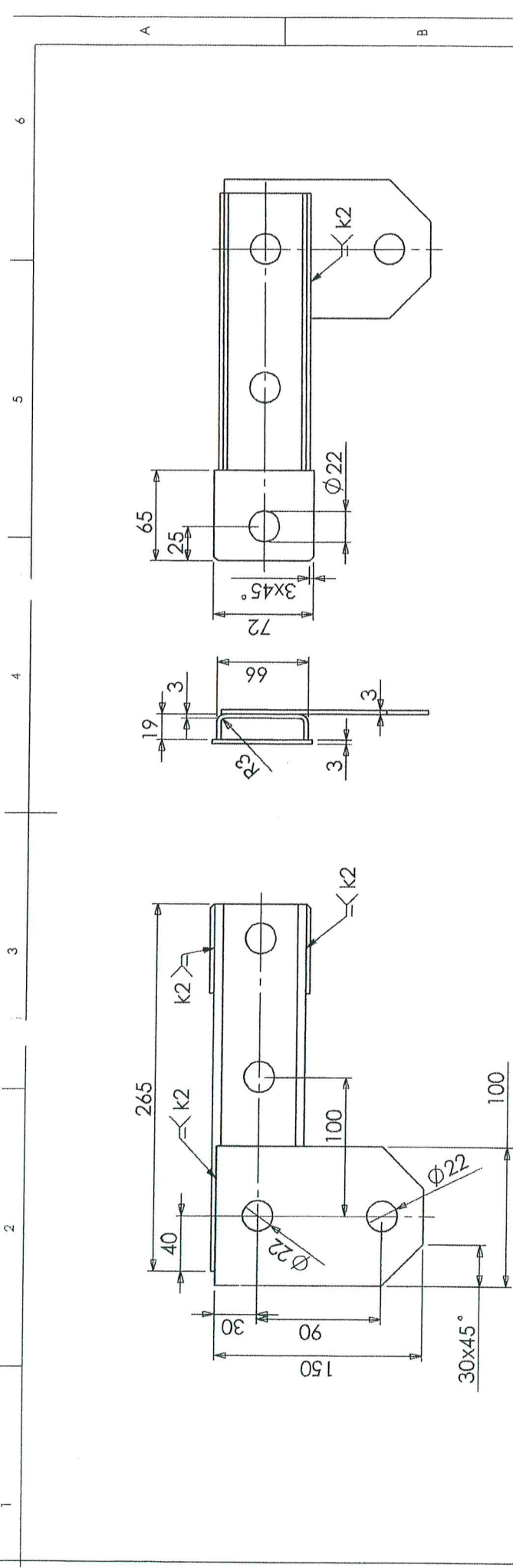
DWG NO. **L396.03.00**

SCALE:1:2

WEIGHT:

SHEET 1 OF 1

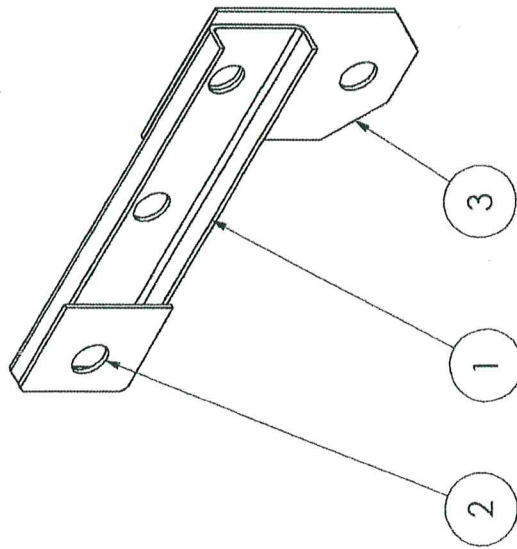


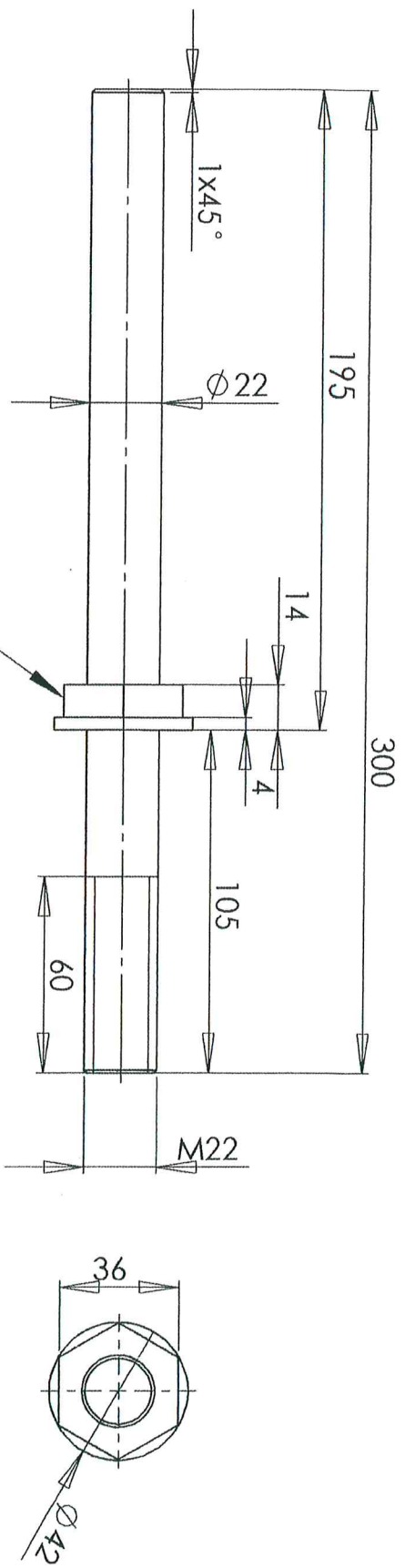


Pārklājums: cinks6

ITEM NO.	Format	PART NUMBER	DESCRIPTION	QTY.
1	b.r.	L396.00.06	Plāksne	1
2	b.r.	L396.00.61	Skava	1
3	b.r.	L396.00.31	Cilpa-	1

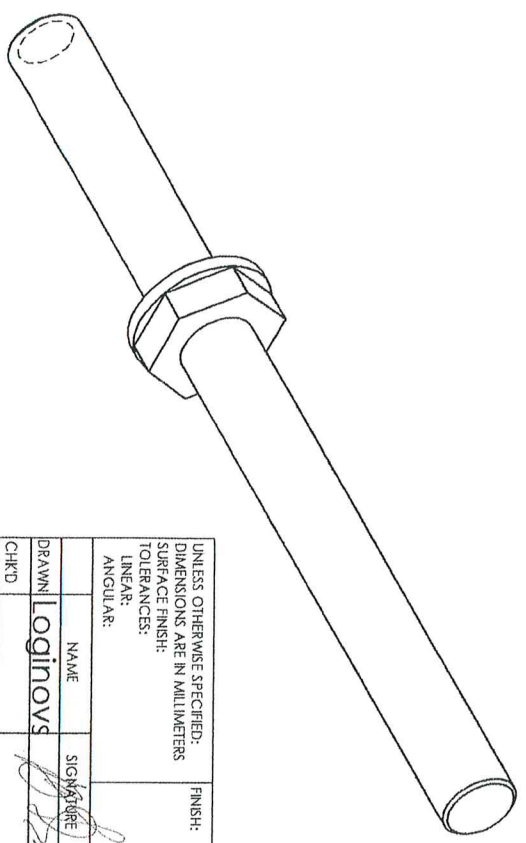
UNLESS OTHERWISE SPECIFIED: DIMENSIONS ARE IN MILLIMETERS		FINISH: DEBUR AND BREAK SHARP EDGES		DO NOT SCALE DRAWING		REVISION	
SURFACE FINISH:				LDZ Infrastruktūras pārvalde			
TOLERANCES:				Inženier tehniskā ceļu grupa			
LINEAR:				TITLE:			
ANGULAR:				Cilpa			
DRAWN	NAME	SIGNATURE	DATE				
CHK'D	Logins	<i>[Signature]</i>	2008				
APP'VD							
MFG							
Q.A.							
				MATERIAL:		DWG NO. L396.06.00-01	
				WEIGHT:		A4	
				SCALE: 1:5		SHEET 1 OF 1	





Atļauts piemērināt uzgriezni.

Pārklājums: cinks 6



UNLESS OTHERWISE SPECIFIED:
DIMENSIONS ARE IN MILLIMETERS
SURFACE FINISH:
TOLERANCES:
LINEAR:
ANGULAR:

FINISH:
DEBUR AND
BREAK SHARP
EDGES

NAME	SIGNATURE	DATE
Loginovs		7.08
DRAWN		
CHK'D		
APP'VD		
MFC		
Q.A.		

TITLE:
DO NOT SCALE DRAWING
REVISION

LDZ infrastruktūras pārvalde
Inženier tehniskā ceļu grupa

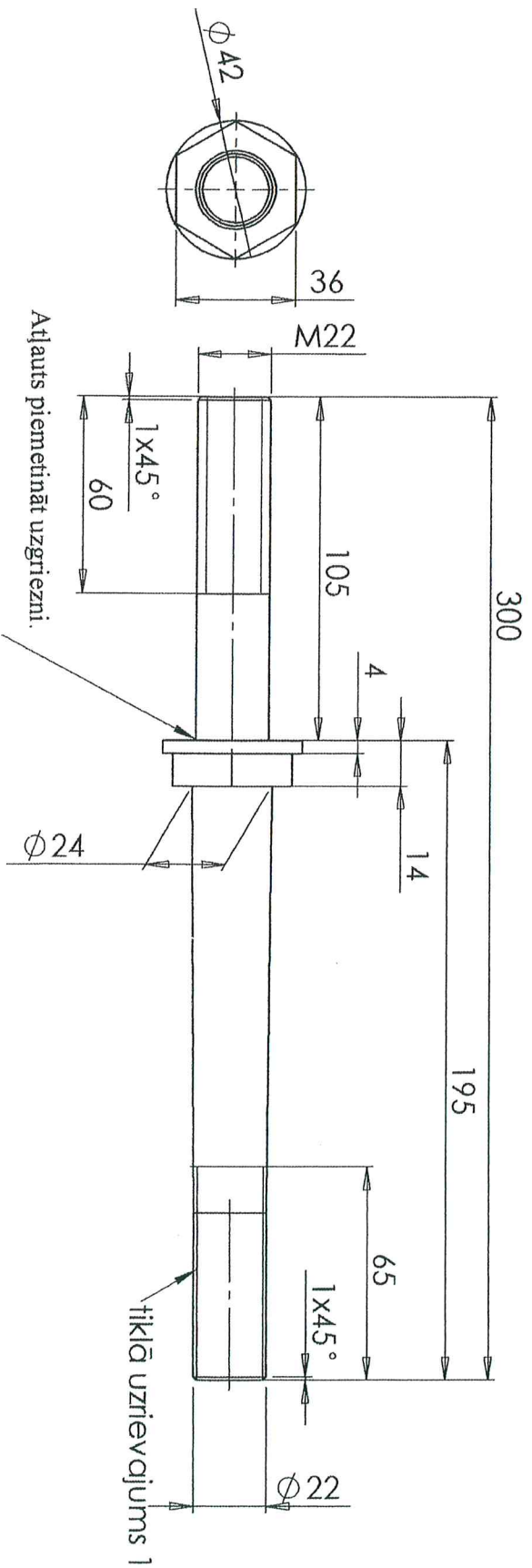
Atbalsts

MATERIAL:
Tērauds 3

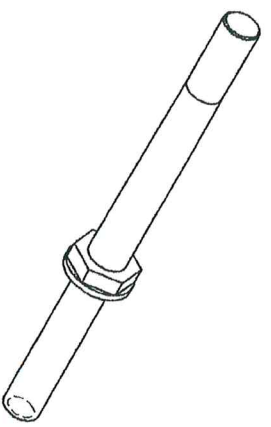
DWG NO.
L396.00.04-01

WEIGHT:
SCALE: 1:1
SHEET 1 OF 1

A4



Pārklājums: cinks 6



UNLESS OTHERWISE SPECIFIED:
 DIMENSIONS ARE IN MILLIMETERS
 SURFACE FINISH:
 TOLERANCES:
 LINEAR:
 ANGULAR:

DEBUR AND
 BREAK SHARP
 EDGES

DO NOT SCALE DRAWING

LDZ Infrastruktūras pārvalde
 Inženier tehniskā ceļu grupa

REVISION

NAME	SIGNATURE	DATE
DRAWN Logiņovs		
CHK'D		
APP'VD		
MFG		
Q.A.		

TITLE:

Atbalsts

MATERIAL:
Tērauds3

DWG NO. **L396.00.04**

A4

WEIGHT:	SCALE:1:5	SHEET 1 OF 1