

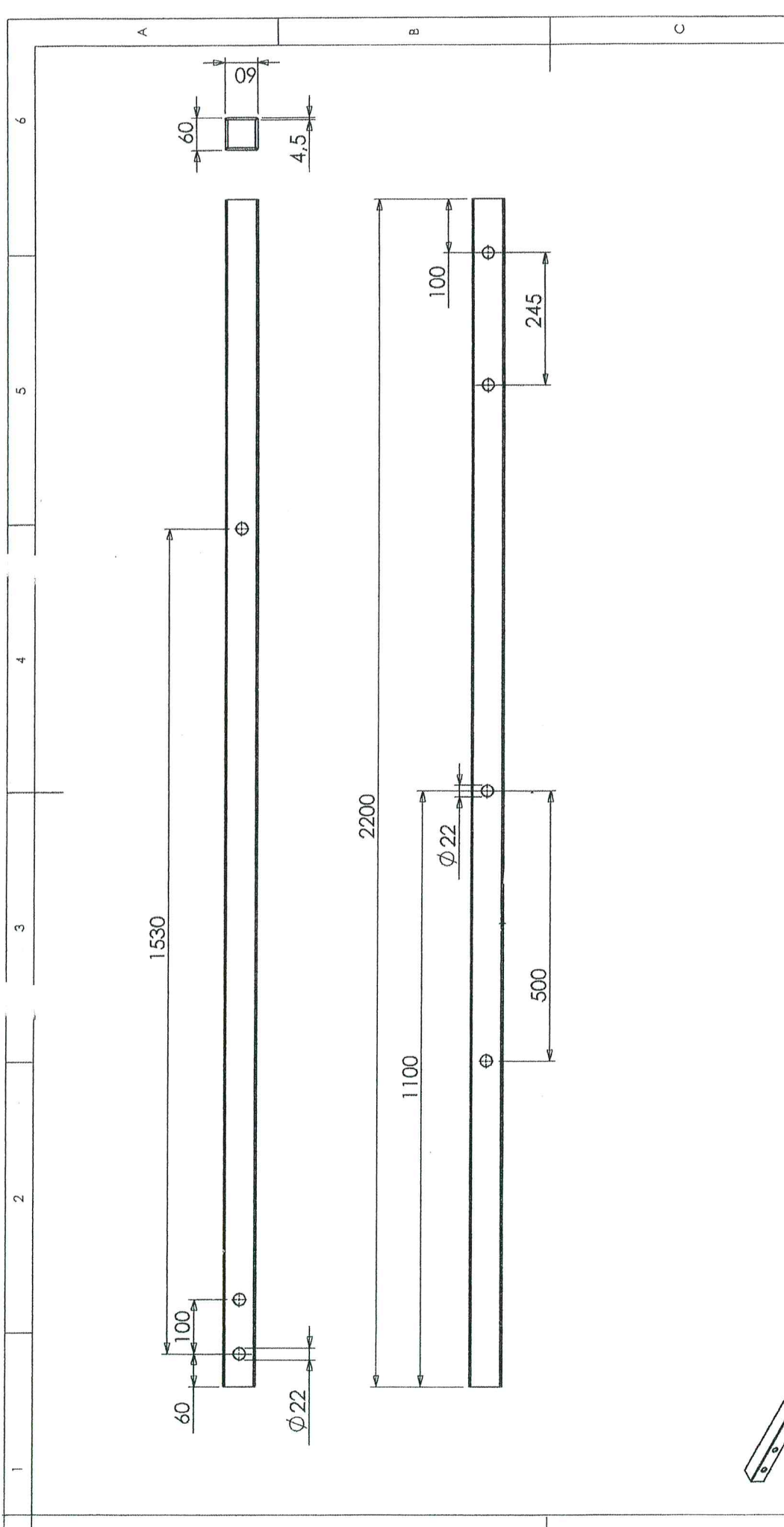
ITEM NO.	FORMAT	PART NUMBER	DESCRIPTION	QTY.
1	A4	L396.00.01*	Sija	1
2	A4	L396.00.04	Atbalsts	6
3	A4	L396.00.04-01	Atbalsts	1
4	A4	L396.03.00	Cilpa	4
5	A4	L396.00.60	Cilpa	2
6	A4	L396.00.03	Skava	16
7	A4	L396.00.02 *	Sija	1
8	A4	L396.00.07	Sija	1
9	A4	L396.00.08	Sija	1
10	A4	L396.04.00	Skava	2
11		izolator 20kB		3
12		nut M22		4
13		bolim 20x100		10
14		nut M20		10
15	A4	L396.06.00	Cilpa	1
16	A4	L396.06.00-01	Cilpa	1
17		bolim 16x100		3
18		nut M16		3

UNLESS OTHERWISE SPECIFIED:  
DIMENSIONS ARE IN MILLIMETERS  
SURFACES UNLESS OTHERWISE SPECIFIED ARE TO BE FINISHED

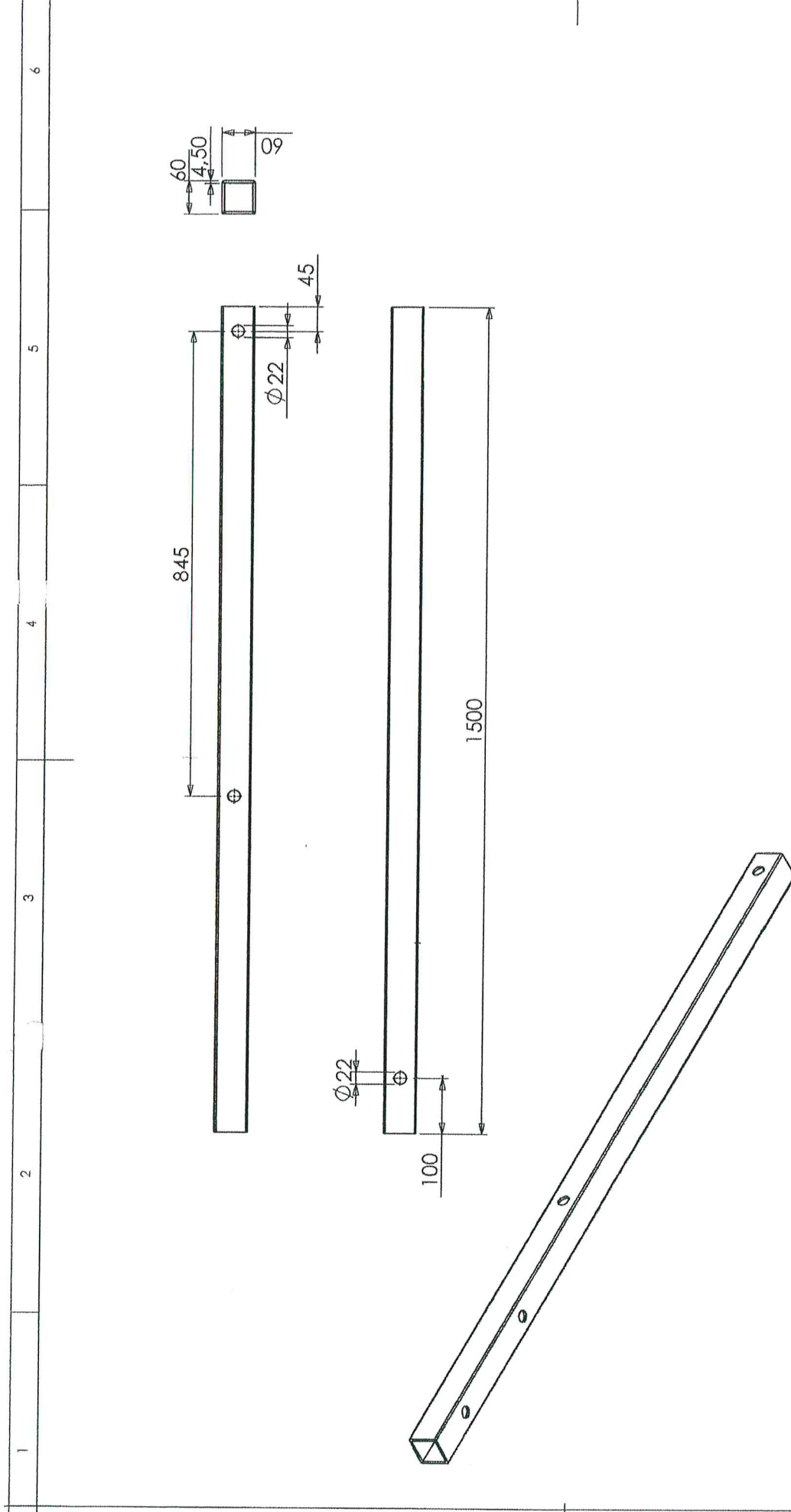
FINISH: \_\_\_\_\_  
DRAWN: Loginovs \_\_\_\_\_ DATE: 17.08  
CHECKED: \_\_\_\_\_ DATE: \_\_\_\_\_  
APPROVED: \_\_\_\_\_ DATE: \_\_\_\_\_

DESIGN AND BREAK PART CODE: \_\_\_\_\_ REGION: \_\_\_\_\_  
LDZ infrastruktūras pārvalde  
Inženierzinātņu ceļu grupa  
TITLE: Kontakta tīkla atbalsts  
**DO-II**

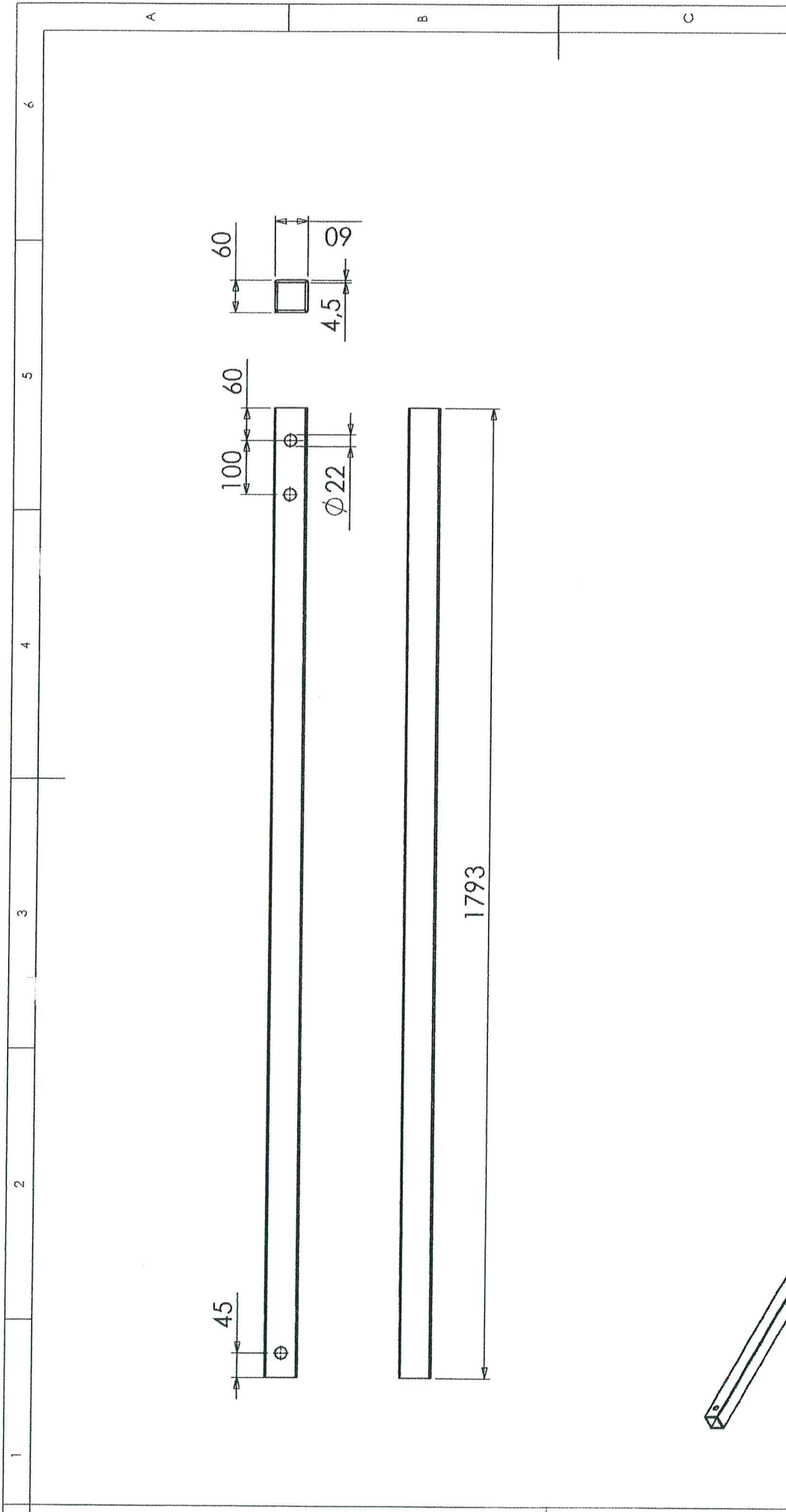
DWG. NO. L396.01.00 REGION: \_\_\_\_\_  
MATERIAL: \_\_\_\_\_



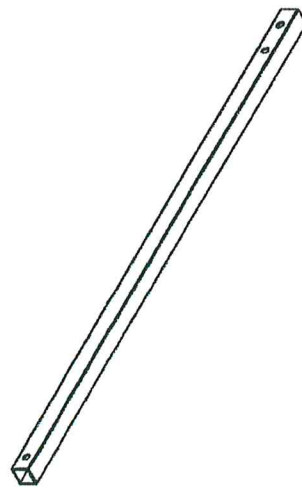
UNLESS OTHERWISE SPECIFIED: DIMENSIONS ARE IN MILLIMETERS		FINISH:		DEBUR AND BREAK SHARP EDGES		DO NOT SCALE DRAWING		REVISION	
SURFACE FINISH:		SIGNATURE				LDZ Infrastuktūras pārvalde			
TOLERANCES:		DATE				Inženier tehniskā ceļu grupa			
LINEAR:		7.08				TITLE:		Sija	
ANGULAR:						DWG NO.		L396.00.01*	
DRAWN		Loginovs		MATERIAL:		SCALE: 1:20		A4	
CHK'D				stiklašķiedras kompozīta		SHEET 1 OF 1			
APP'VD				kvadrāta caurule 60x60x4.5					
MFG				WEIGHT:					
Q.A.									

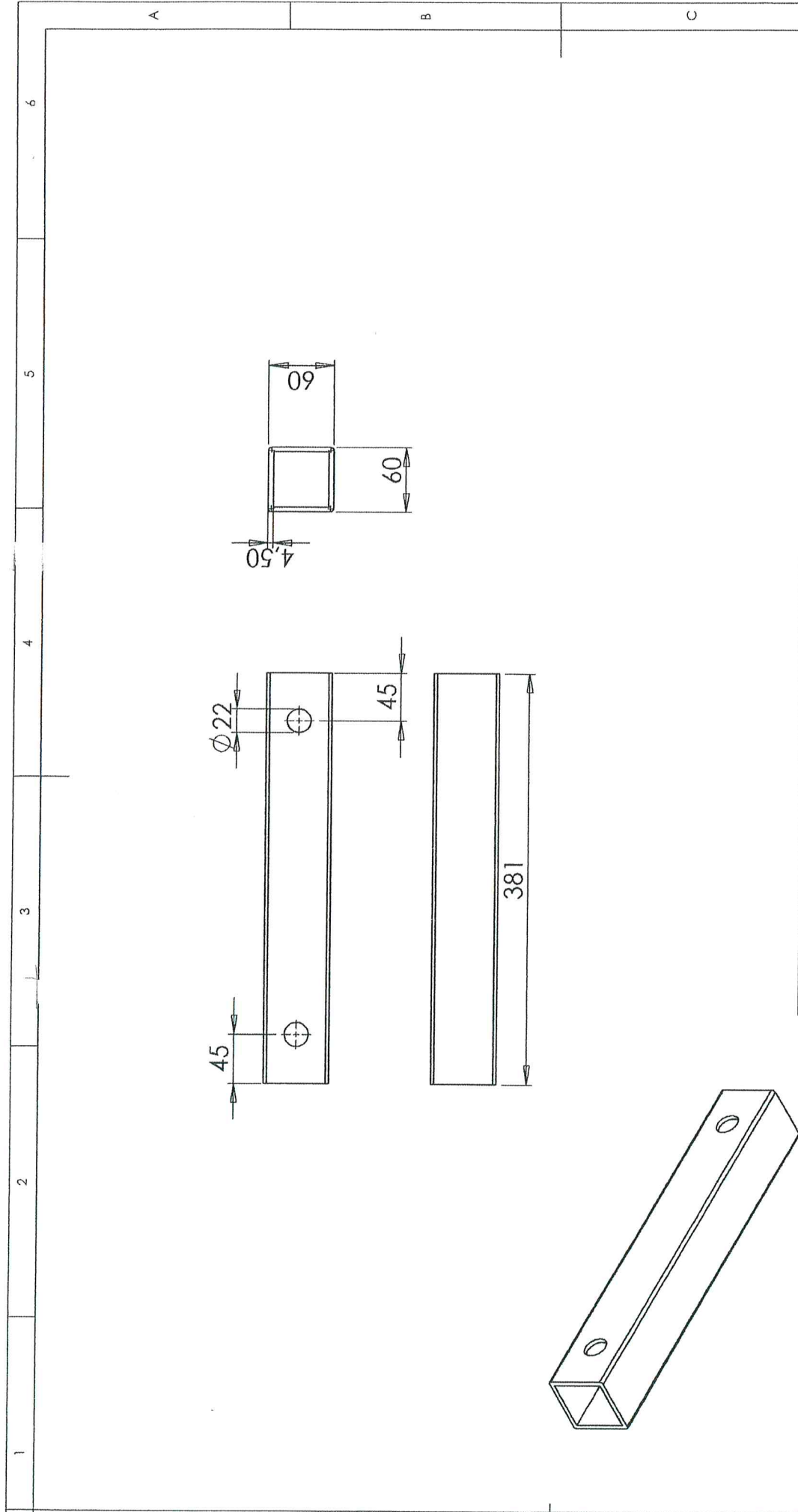


UNLESS OTHERWISE SPECIFIED: DIMENSIONS ARE IN MILLIMETERS		FINISH:		DEBUR AND BREAK SHARP EDGES		DO NOT SCALE DRAWING		REVISION	
SURFACE FINISH:		TOLERANCES:		LINEAR:		ANGULAR:		LDZ Infrastuktūras pārvalde Inženier tehniskā ceļu grupa	
DRAWN	NAME	SIGNATURE	DATE	TITLE:		DWG NO.		A	
CHKD	Loginoys	<i>[Signature]</i>	4.01	Sija		L396.00.02*			
APPVD				MATERIAL:		SCALE:1:10			
MFG				stiklašķiedras kompozīta kvadrāta caurule 60x60x4.5		SHEET 1 OF 1			
Q.A				WEIGHT:					

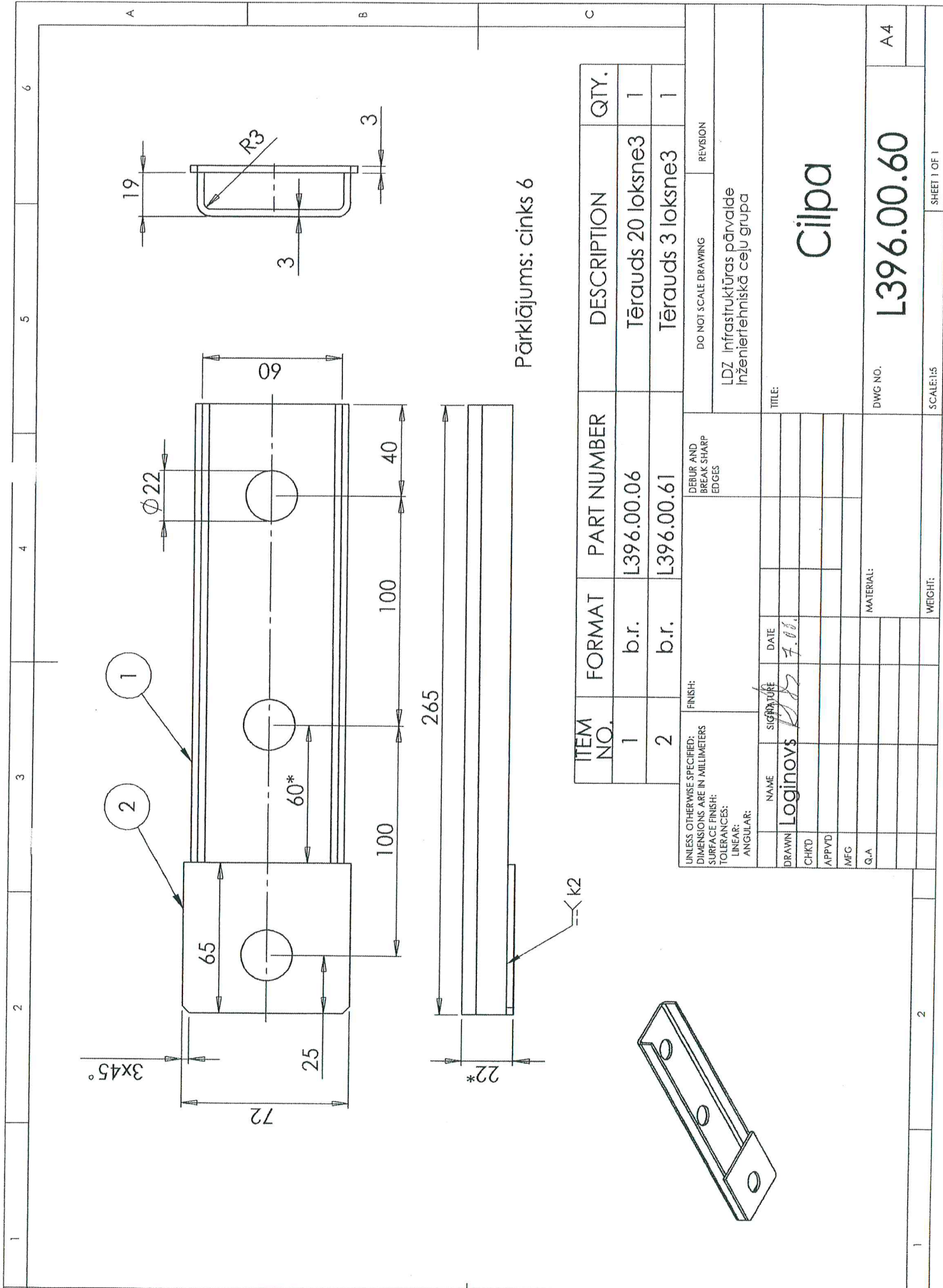


UNLESS OTHERWISE SPECIFIED: DIMENSIONS ARE IN MILLIMETERS		FINISH:		DEBUR AND BREAK SHARP EDGES		DO NOT SCALE DRAWING		REVISION	
SURFACE FINISH:		DATE		TITLE:		LDZ infrastruktūras pārvalde inženiertehniskā ceļu grupa			
TOLERANCES:		SIGNATURE		MATERIAL:		Sija			
LINEAR:		DATE		MATERIAL:		DWG NO. L396.00.07			
ANGULAR:		DATE		MATERIAL:		A4			
DRAWN	NAME	SIGNATURE	DATE	MATERIAL:		SCALE: 1:20			
CHK'D	Loginovs	<i>[Signature]</i>	7.08.	MATERIAL:		SHEET 1 OF 1			
APP'VD				MATERIAL:		WEIGHT:			
MFG				MATERIAL:		stiklašķiedras kompozīta kvadrātaurule 60x60x4.5			
Q.A				MATERIAL:		A4			





UNLESS OTHERWISE SPECIFIED: DIMENSIONS ARE IN MILLIMETERS		FINISH:		DERUR AND BREAK SHARP EDGES		DO NOT SCALE DRAWING		REVISION	
SURFACE FINISH:		SIGNATURE		DATE		LDZ Infrastrukūras pārvalde		Inženiertehniskā ceļu grupa	
TOLERANCES:		NAME		DRAWN		TITLE:		A4	
LINEAR:		Logins		20.11.08		Sija		DWG NO. L396.00.08	
ANGULAR:		CHKD		APPVD		MATERIAL:		SCALE:1:5	
		MFG		Q.A.		stiklašķiedras kompozīta kvadrātaurule 60x60x4.5		WEIGHT:	
								SHEET 1 OF 1	



Pārklājums: cinks 6

ITEM NO.	FORMAT	PART NUMBER	DESCRIPTION	QTY.
1	b.r.	L396.00.06	Tērauds 20 loksne3	1
2	b.r.	L396.00.61	Tērauds 3 loksne3	1

UNLESS OTHERWISE SPECIFIED:  
 DIMENSIONS ARE IN MILLIMETERS  
 SURFACE FINISH:  
 TOLERANCES:  
 LINEAR:  
 ANGULAR:

FINISH:  
 DEBUR AND  
 BREAK SHARP  
 EDGES

DO NOT SCALE DRAWING

REVISION

LDZ infrastruktūras pārvalde  
 inženiertehniska ceļu grupa

TITLE:  
**Cilpa**

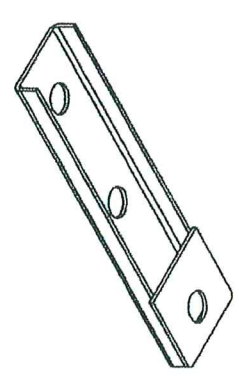
DWG NO. **L396.00.60**

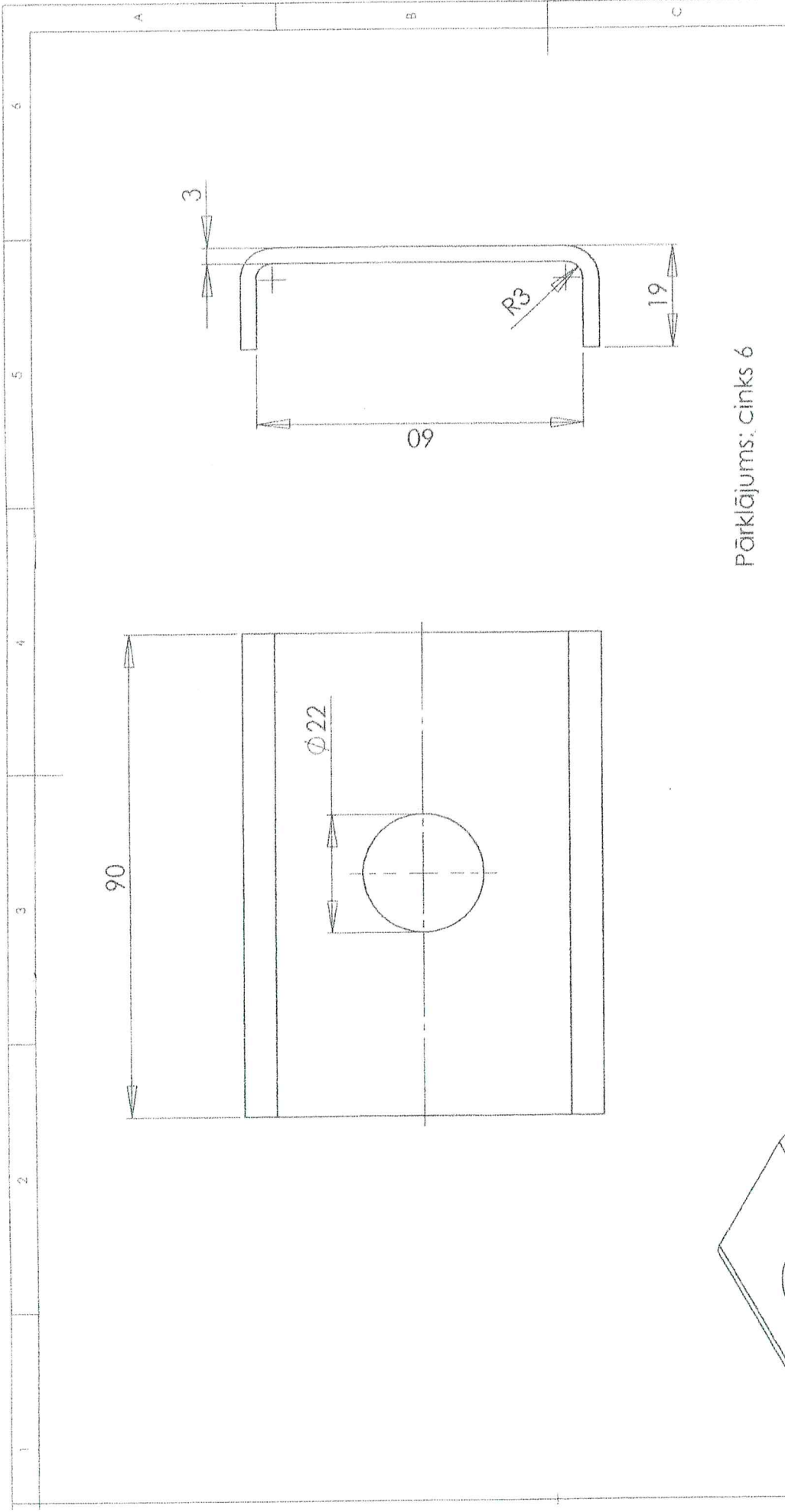
A4

SCALE: 1:1

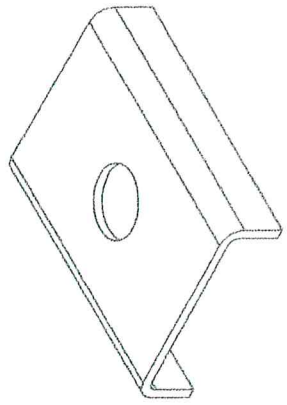
WEIGHT:

SHEET 1 OF 1

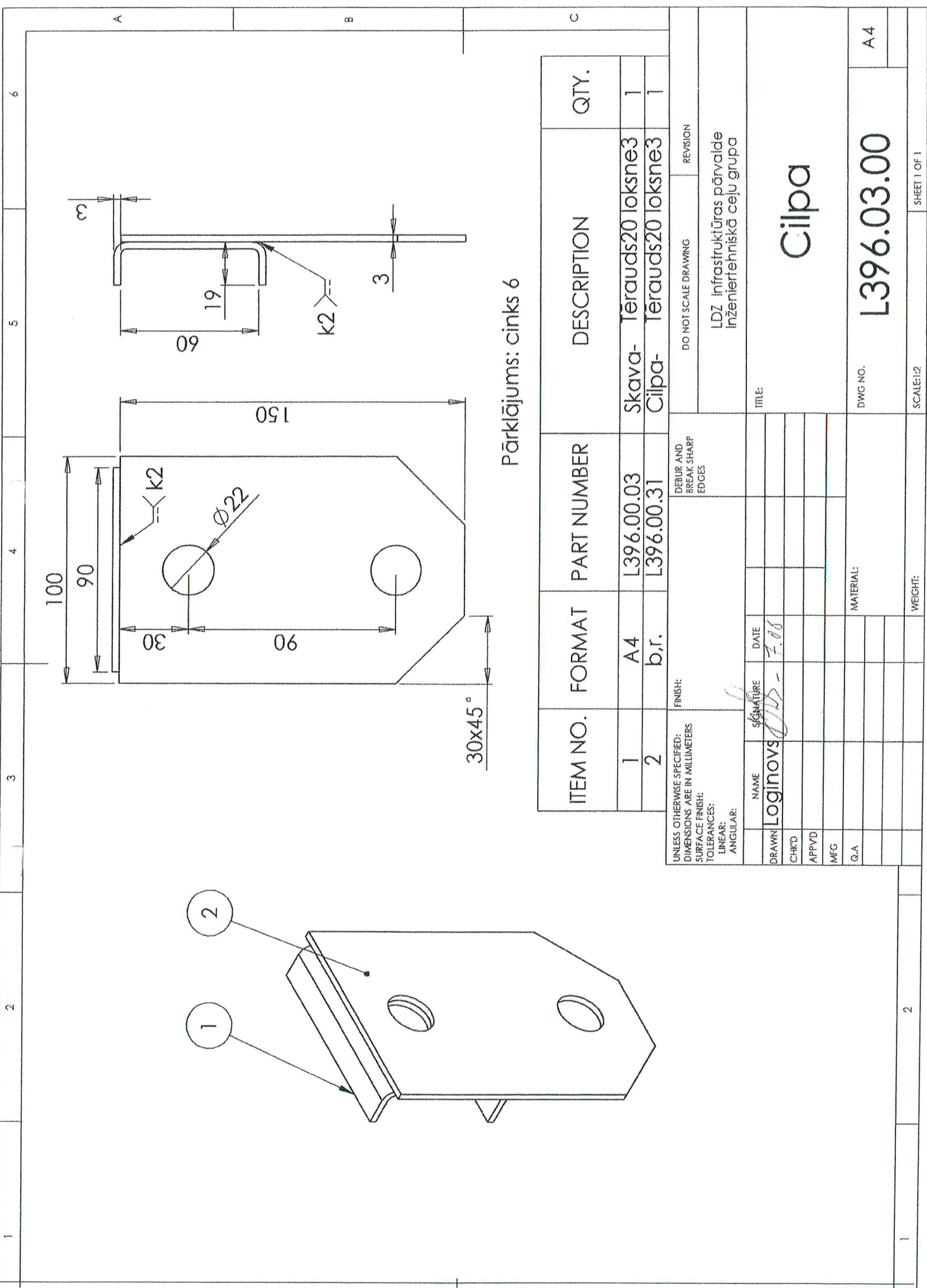




Pārklājums: cinks 6



UNLESS OTHERWISE SPECIFIED: DIMENSIONS ARE IN MILLIMETERS		FINISH:		DEFUR AND BREAK SHARP EDGES		DO NOT SCALE DRAWING		REVISION	
SURFACE FINISH:		NAME:		DRAWN		LDZ infrastruktūras pārvalde		LDZ inženier tehniskā ceļu grupa	
TOLERANCES:		SIGNATURE:		CHECKED		TITLE:			
LINEAR:		DATE:		APPROVED		Skava			
ANGULAR:		LOGINOVS - 2.3.01		MFG		MATERIAL:		DWG NO. L396.00.03	
				Q.A.		Tērauds20 loksne3		A4	
						WEIGHT:		SCALE:1:2	
								SHEET 1 OF 1	



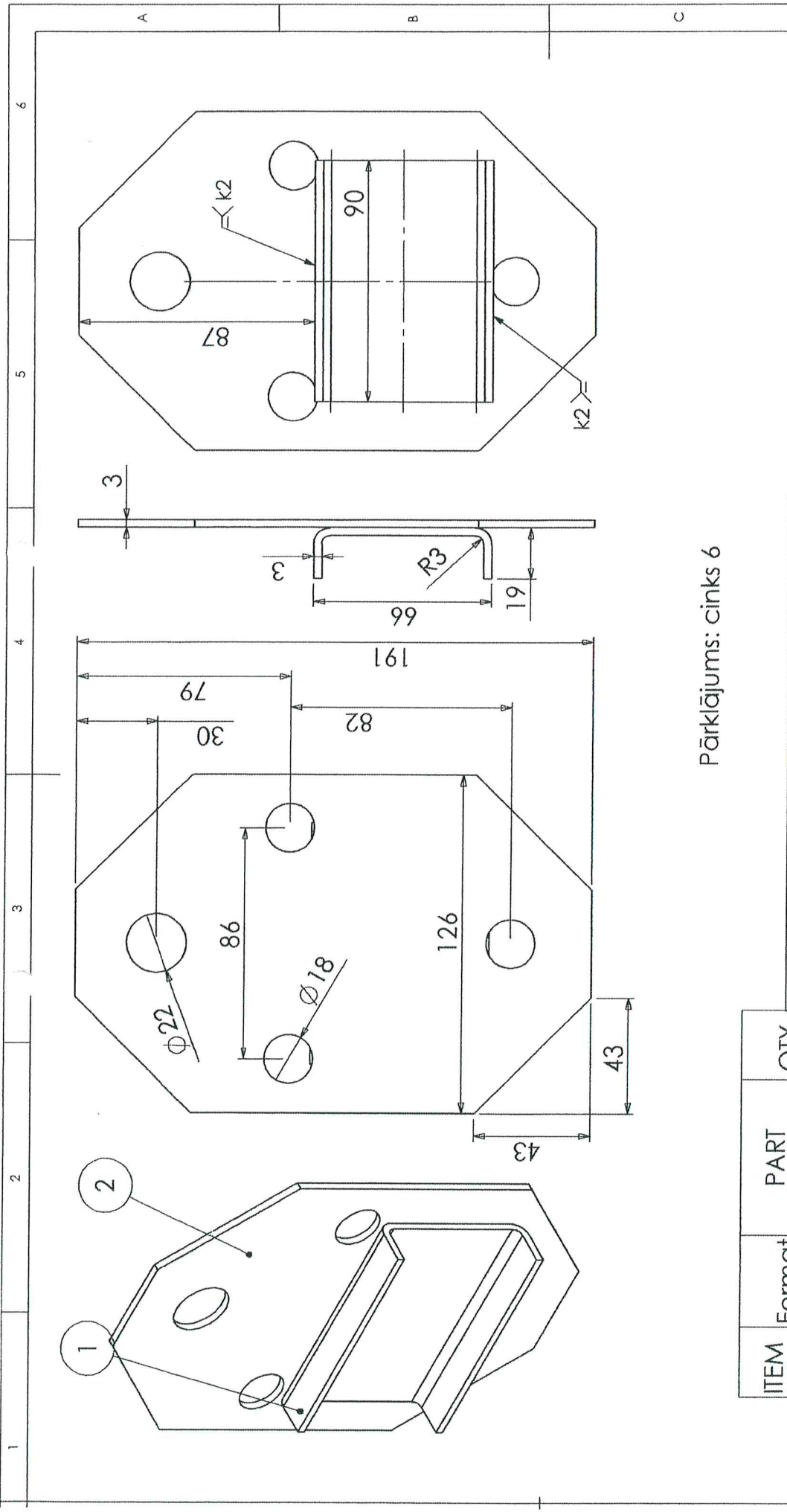
Pārklājums: cinks 6

ITEM NO.	FORMAT	PART NUMBER	DESCRIPTION	QTY.
1	A4	L396.00.03	Skava- Tērauds20 loksne3	1
2	b.r.	L396.00.31	Cilpa- Tērauds20 loksne3	1

UNLESS OTHERWISE SPECIFIED: DIMENSIONS ARE IN MILLIMETERS		FINISH: DEBUR AND BREAK SHARP EDGES	
SURFACE FINISH:		DO NOT SCALE DRAWING	
TOLERANCES:		REVISION	
LINEAR:		LDZ infrastruktūras pārvalde	
ANGULAR:		Inženier tehniskā ceļu grupa	
DRAWN	NAME	TITLE:	
CHK'D	SIGNATURE	Cilpa	
APP'VD	DATE	DWG NO. L396.03.00	
MFG		A4	
Q.A.	MATERIAL:	SCALE: 1:2	
		SHEET 1 OF 1	

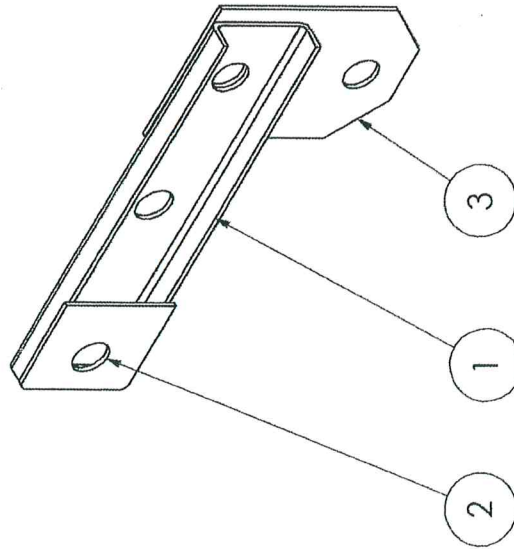
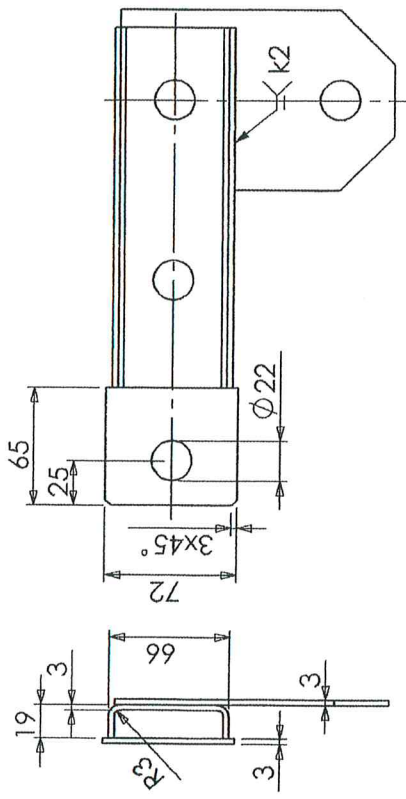
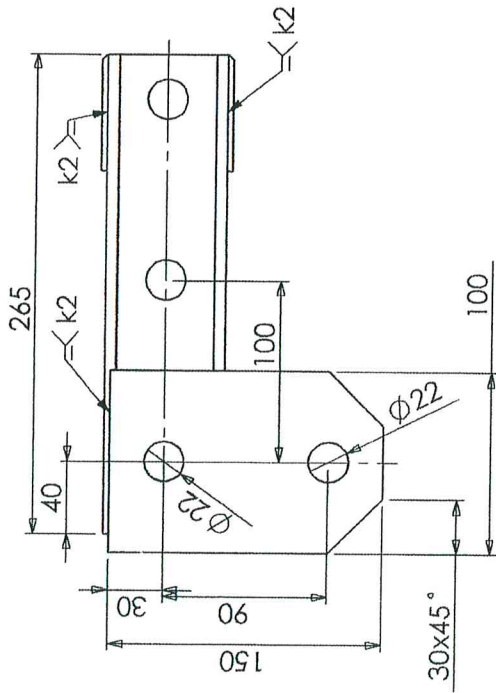




Pārklājums: cinks 6

ITEM NO.	Format	PART NUMBER	QTY.
1	b.r.	L396.00.33	1
2	b.r.	L396.00.32	1

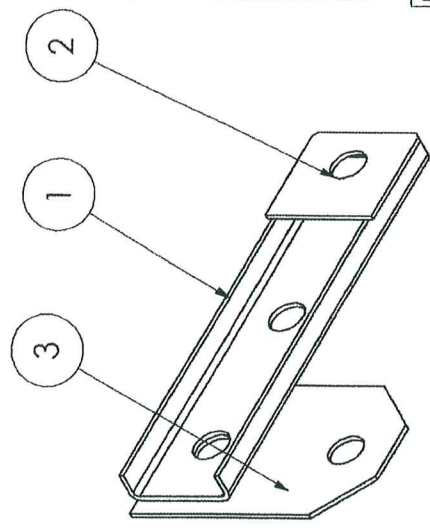
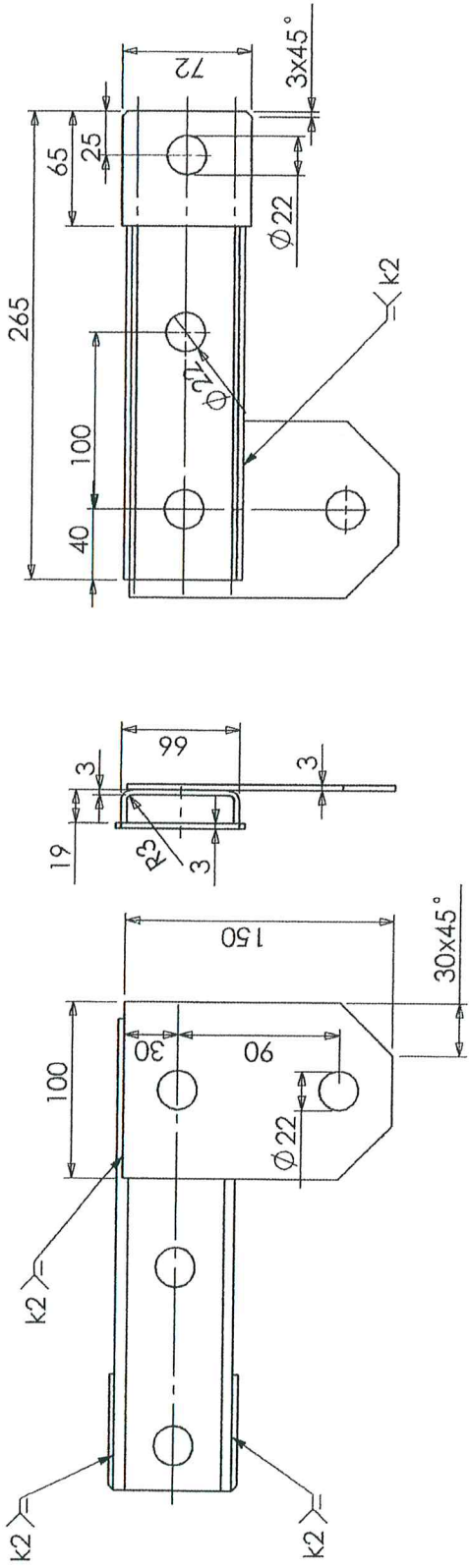
UNLESS OTHERWISE SPECIFIED: DIMENSIONS ARE IN MILLIMETERS		FINISH:		DEBUR AND BREAK SHARP EDGES		DO NOT SCALE DRAWING		REVISION	
SURFACE FINISH:		TOLERANCES:		NAME		SIGNATURE		DATE	
LINEAR:		ANGULAR:		DRAWN: Loginovs		[Signature]		7-08	
CHK'D		APP'VD		MFG		G.A.		TITLE:	
MATERIAL:		Tērauds20 loksne3		LDZ Infrastuktūras pārvalde		Inženier tehniskā ceļu grupa		Skava	
DWG NO.:		L396.04.00		A4		SCALE:1:5		SHEET 1 OF 1	



Pārklājums: cinks6

ITEM NO.	Format	PART NUMBER	DESCRIPTION	QTY.
1	b.r.	L396.00.06	Plāksne	1
2	b.r.	L396.00.61	Skava	1
3	b.r.	L396.00.31	Cilpa-	1

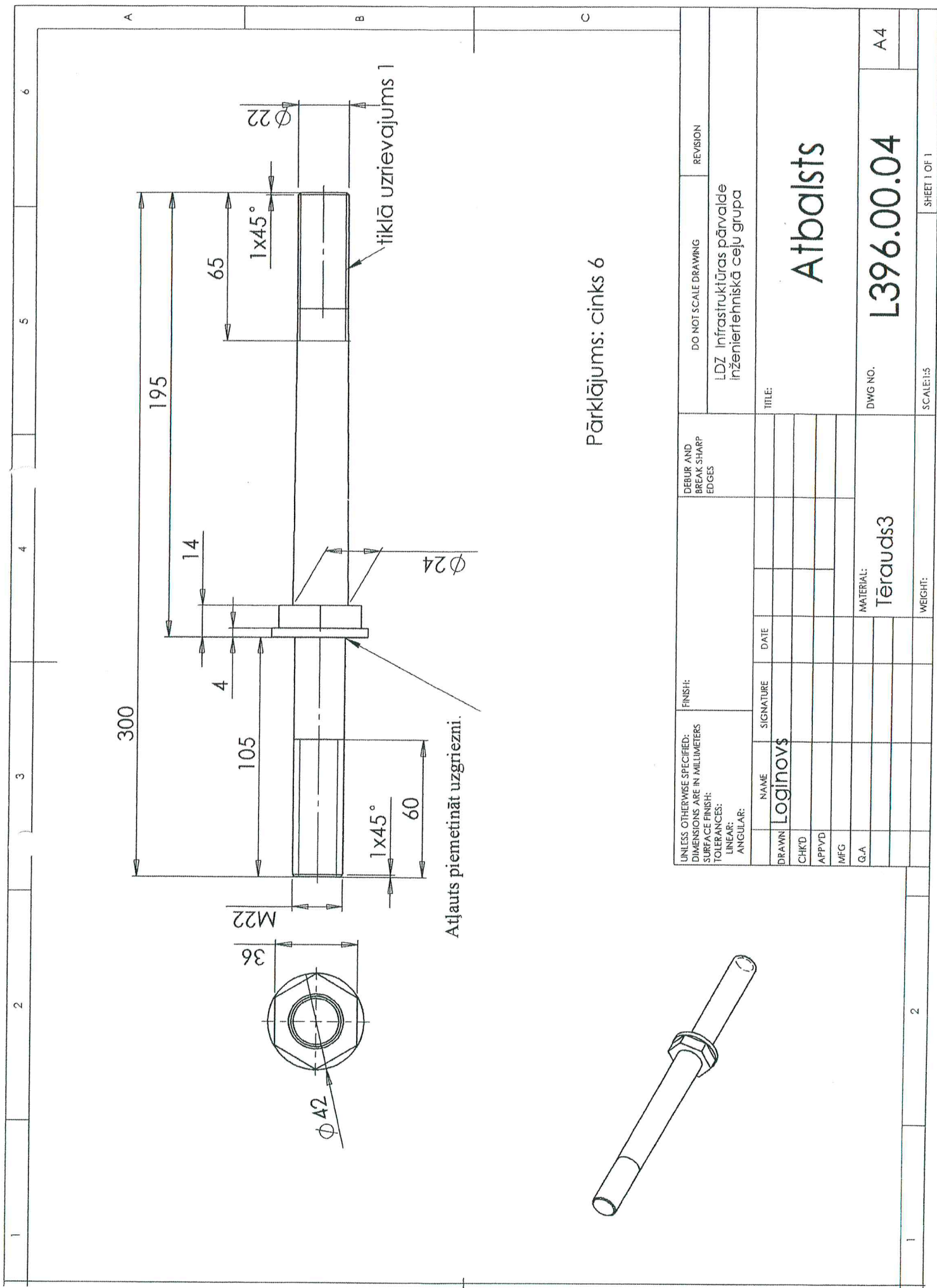
UNLESS OTHERWISE SPECIFIED: DIMENSIONS ARE IN MILLIMETERS		FINISH:		DEBUR AND BREAK SHARP EDGES		DO NOT SCALE DRAWING		REVISION	
SURFACE FINISH:		TOLERANCES:		LDZ infrastruktūras pārvalde inženier tehniskā ceļu grupa		TITLE:			
LINEAR:		ANGULAR:		DRAWN: <i>Logins</i>		DATE: <i>2008</i>			
CHECKED:		APPROVED:		MFG:		Q.A.:		MATERIAL:	
SIGNATURE:		DATE:						Cilpa	
WEIGHT:		SCALE: 1:5		DWG NO. <b>L396.06.00-01</b>		SHEET 1 OF 1		A4	



Pārklājums: cinks6

ITEM NO.	Format	PART NUMBER	DESCRIPTION	QTY.
1	b.r.	L396.00.06	Plāksne	1
2	b.r.	L396.00.61	Skava	1
3	b.r.	L396.00.31	Cilpa-	1

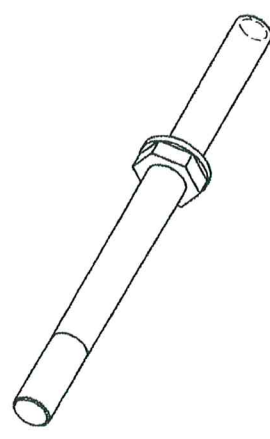
UNLESS OTHERWISE SPECIFIED: DIMENSIONS ARE IN MILLIMETERS		FINISH:		DO NOT SCALE DRAWING		REVISION	
SURFACE FINISH:		DEBUR AND BREAK SHARP EDGES		LDZ Infrastuktūras pārvalde Inženiertehniskā ceļu grupa			
TOLERANCES:		TITLE:		Cilpa			
LINEAR:		NAME		DWG NO. L396.06.00			
ANGULAR:		SIGNATURE		SCALE: 1:5			
		DATE		SHEET 1 OF 1			
		DRAWN		WEIGHT:			
		CHK'D		MATERIAL:			
		APP'VD					
		MFG					
		Q.A					

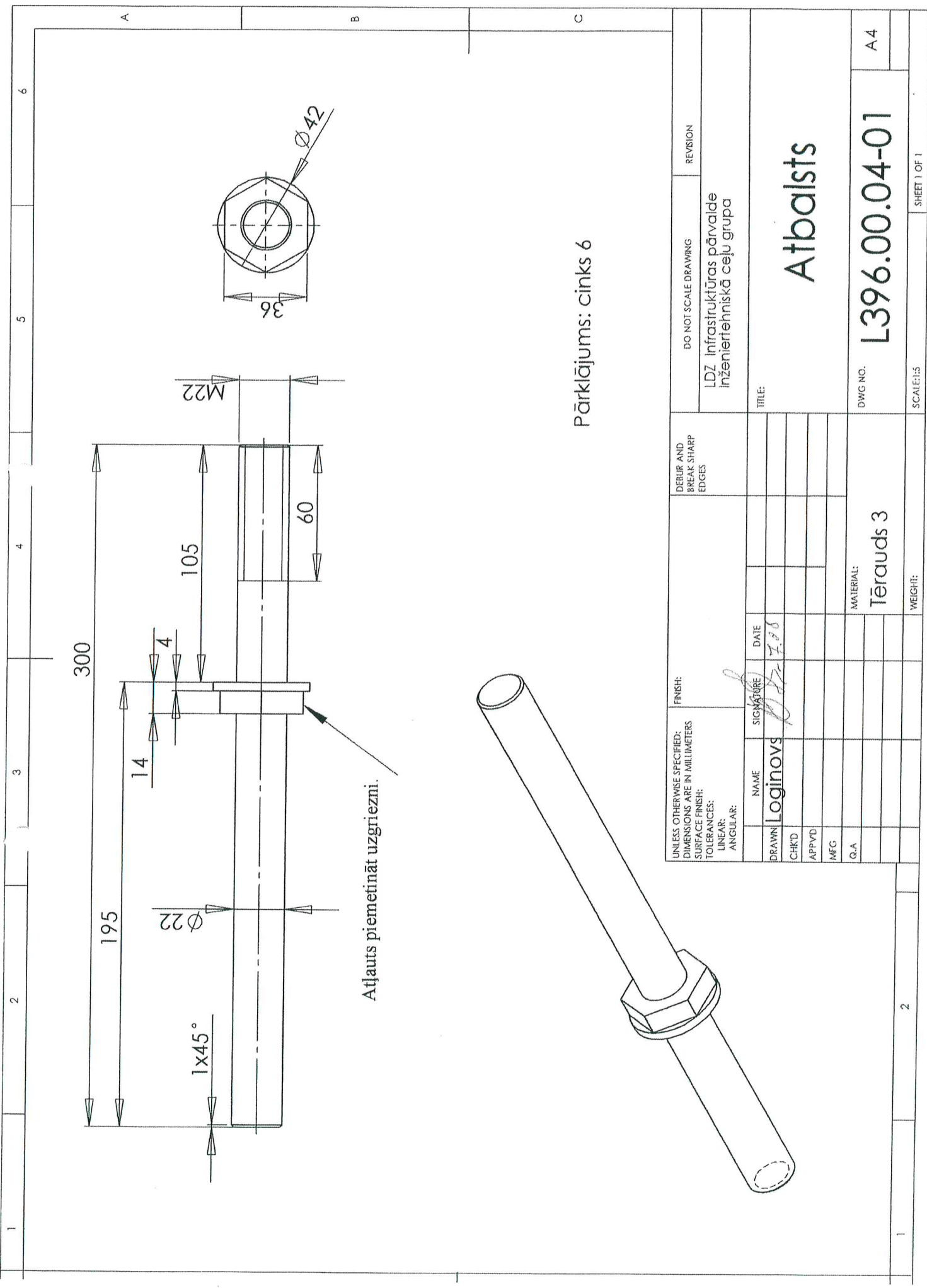


Atļauts piemētināt uzgriezni.

Pārklājums: cinks 6

UNLESS OTHERWISE SPECIFIED: DIMENSIONS ARE IN MILLIMETERS		FINISH:		DEBUR AND BREAK SHARP EDGES		DO NOT SCALE DRAWING		REVISION	
SURFACE FINISH:		NAME		SIGNATURE		LDZ infrastruktūras pārvalde		TITLE:	
TOLERANCES:		Loginovs		DATE		inženier tehniskā ceļu grupa		Atbalsts	
LINEAR:		DRAWN						DWG NO. L396.00.04	
ANGULAR:		CHK'D						A4	
		APP'VD							
		MFG							
		Q.A							
		MATERIAL:							
		Tērauds3							
		WEIGHT:							
		SCALE:1:5							
		SHEET 1 OF 1							





Atļauts piemētināt uzgriezni.

Pārklājums: cinks 6

UNLESS OTHERWISE SPECIFIED: DIMENSIONS ARE IN MILLIMETERS		FINISH:		DEBUR AND BREAK SHARP EDGES		DO NOT SCALE DRAWING		REVISION	
SURFACE FINISH:		NAME		SIGNATURE		DATE		LDZ infrastruktūras pārvalde inženier tehniskā ceļu grupa	
TOLERANCES:		DRAWN		LOGINOVS		DATE		TITLE:	
LINEAR:		CHKD						Atbalsts	
ANGULAR:		APPVD						DWG NO. L396.00.04-01	
		MFG						A4	
		G.A.						SCALE: 1:5	
								SHEET 1 OF 1	
								MATERIAL: Tērauds 3	
								WEIGHT:	