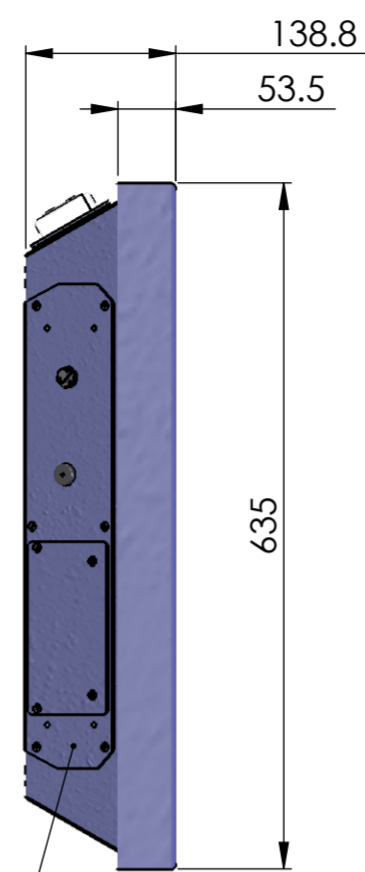
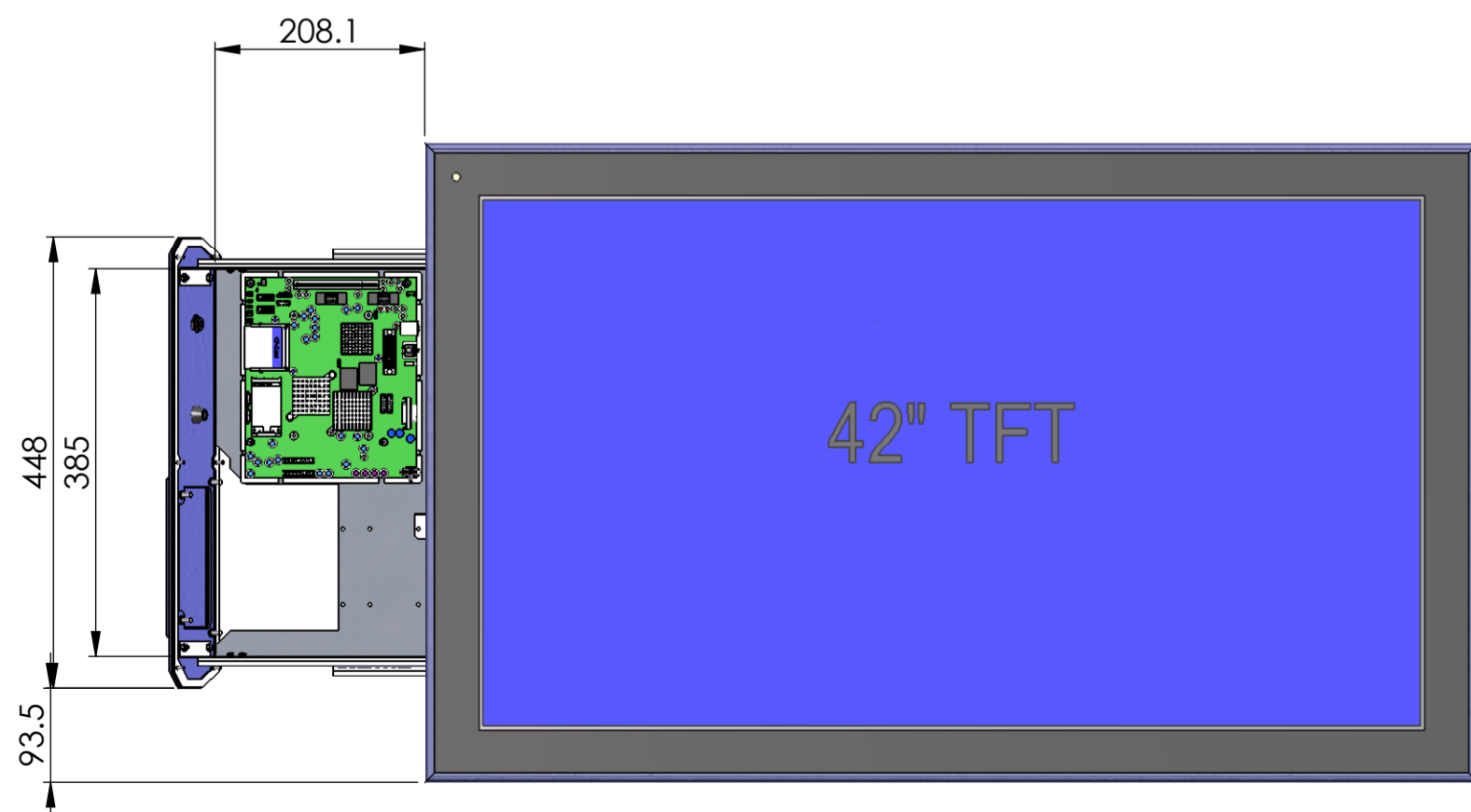
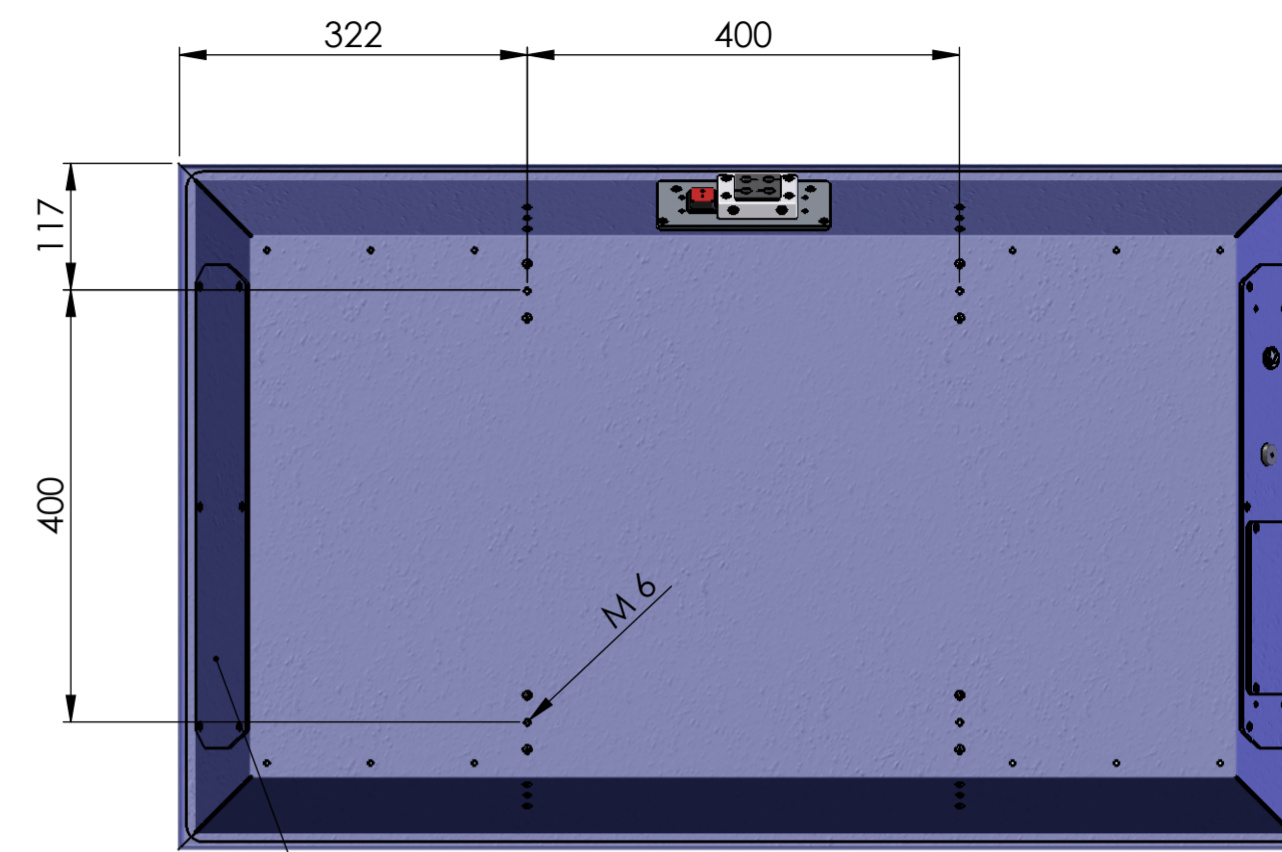


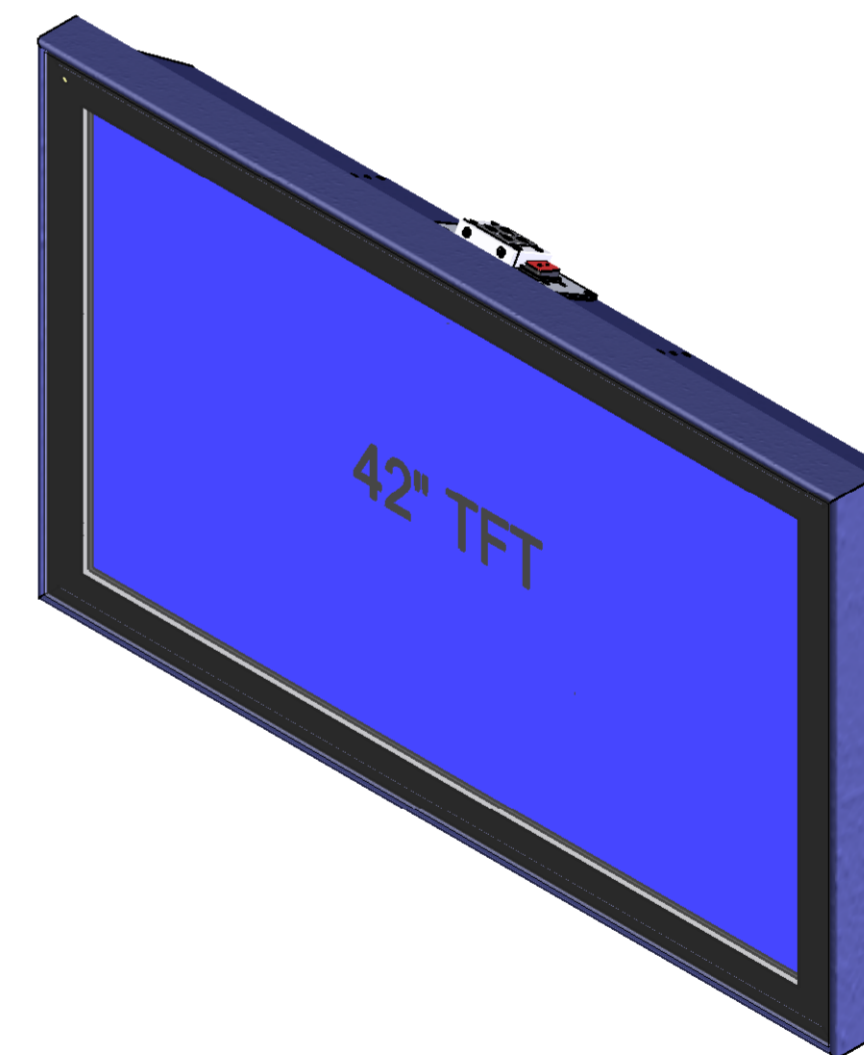
Space available
for customer components
385 x 208.1 x 52



Service hatch for
PC access



Service hatch for optional components



Material: Aluminium housing, cover glass
Colour: RAL xxxx
Protection rating: IP54
Weight: 35kg, approx.

Material		XX.X = Inspection Dimension		Page 1 / 1
Stock Code	95TFTI420_01	Tolerance	ISO 2768-m	CAD-Scale 1:7 A2
Project	1502		SFS-EN 22768-1	Draw. 3.9.2014 TSu
			SFS-EN ISO 13920	Insp. 4.9.2014 JKos
MITRON P.O.Box 113 30101 FORSSA Finland www.mitron.com		Name Installation Dimensions TFTI420_01		Draw n:o 1502BZL Change 01