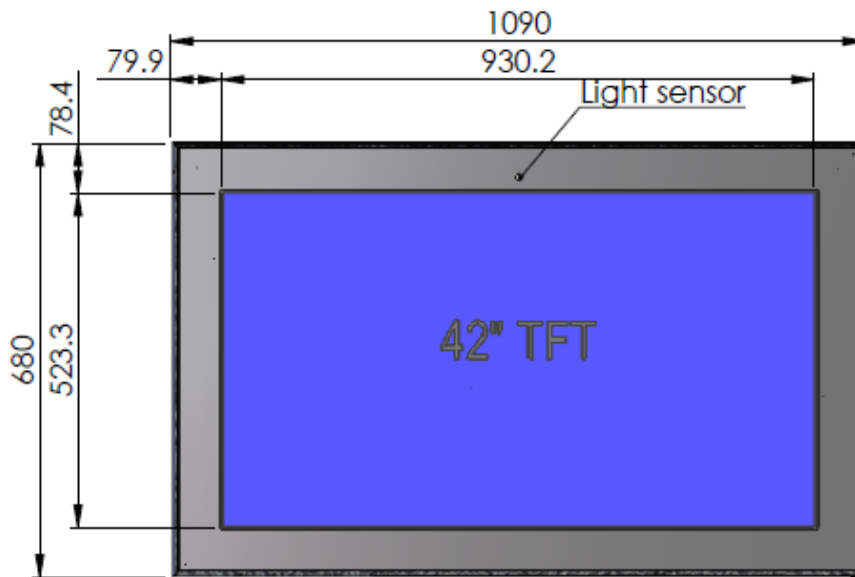


Monitor Display, 95TFTI420_11



Key Features

- Low energy consumption
- Designed for 24/7/365 use
- Excellent visibility in all viewing angles
- Presents text, animation, pictures and video
- Low life cycle costs due to reliable TFT technology
- Easy installation

Technical data

Type	95TFTI420_11
Controller	Industrial PC (D3313-S3, AMD Embedded GX-420CA 2.00 GHz Quad core)
Interfaces	Ethernet (RJ45)
TFT Size & Format	42", 16/9
Dimensions	1090 (w) x 680 (h) x 110 (d) mm (without the wall mounting bracket), ~55 kg
Active Area	930 x 523 mm
Resolution	1920 x 1080 dots
Viewing Angle (typ.)	178°
TFT Brightness, contrast (typ.)	700 cd/m ² , 3000:1
Housing	Aluminium case, RAL colour 9005, fine effect (6%)
Front glass	4mm hardened AR front glass
Protection class	IP54
Temperature range	Operation 0°C ... 50°C
Power supply	230 VAC, 50 Hz
Power Consumption	170W (max)
Standards	CE, EN55022, EN50121-4, IEC60950
Use	Indoor and semi-outdoor